

POPPET

Turbine Kinetics Part Number 0YW8200A02G01KT

Jamco Corp Part Number 0YW8200A02G01

[Next Higher assembly : 0YW8000A04G01](#)
[- Valve Assy - Drain](#)

Eligibility:

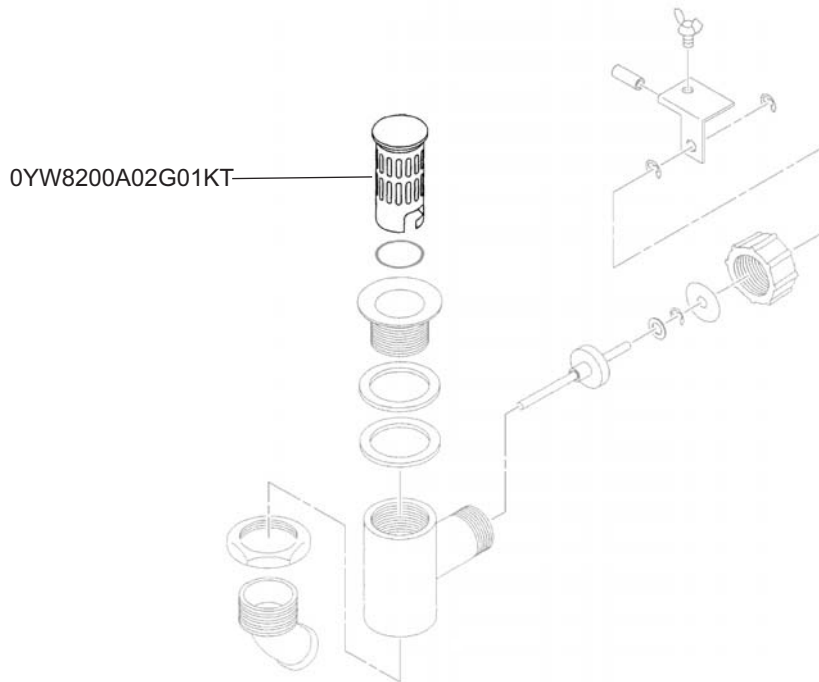
[See FAA-PMA Supplement](#)

IPC Reference:

717-38-30, 777-38-11
767-25-40, 777-38-31
747-38-11

Quantity:

As Required



Location:

Valve Assy - Drain