

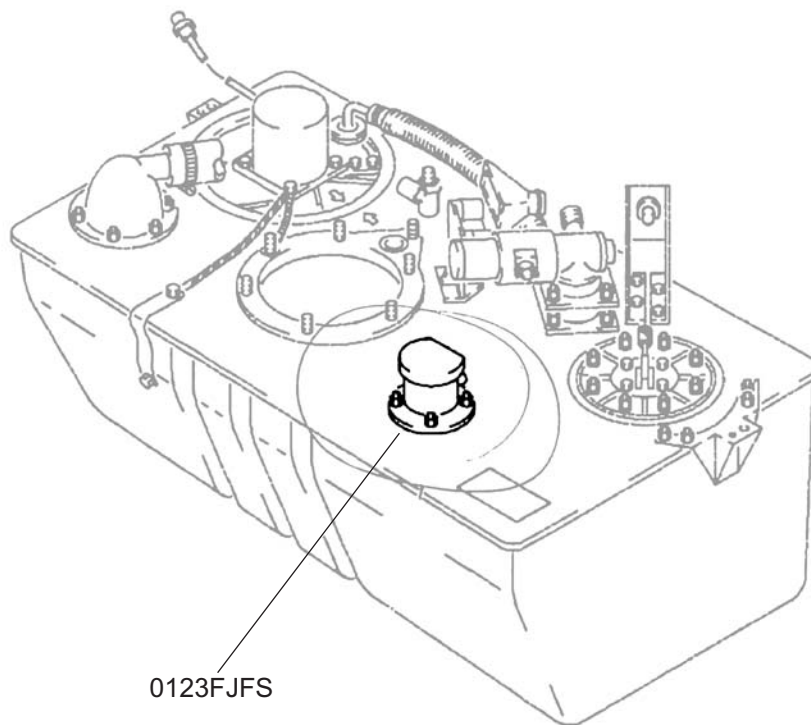
## FLUID LEVEL SENSOR

Flight Specialties Part Number 0123FJFS  
Goodrich Part Number 0123FJ  
[Next Higher Assembly Part Number: 16200-008](#)  
[- Toilet Assembly](#)

**Eligibility:**  
[See FAA/PMA Supplement](#)

**IPC Reference:**  
B757-38-32

**Quantity:**  
5



**Location:**  
Toilet Assy-Flushing