

CATCH-SINGLE REVOLVING

Turbine Kinetics Part Number 0-132-00240000DEC

SELL GMBH Premium-Aircraft Interior Part Number 0-132-002400000

[Next Higher Assembly : 10102K25-10000, C2530000100062, D2539020100062, 1009M21A12000, 1018L11A11000, F2539004400063, 1008L14A10000, 1016L24A00000, 10172C12-10000, 1003E32B10000, 1006R11A10600](#)
- Galley

Eligibility:

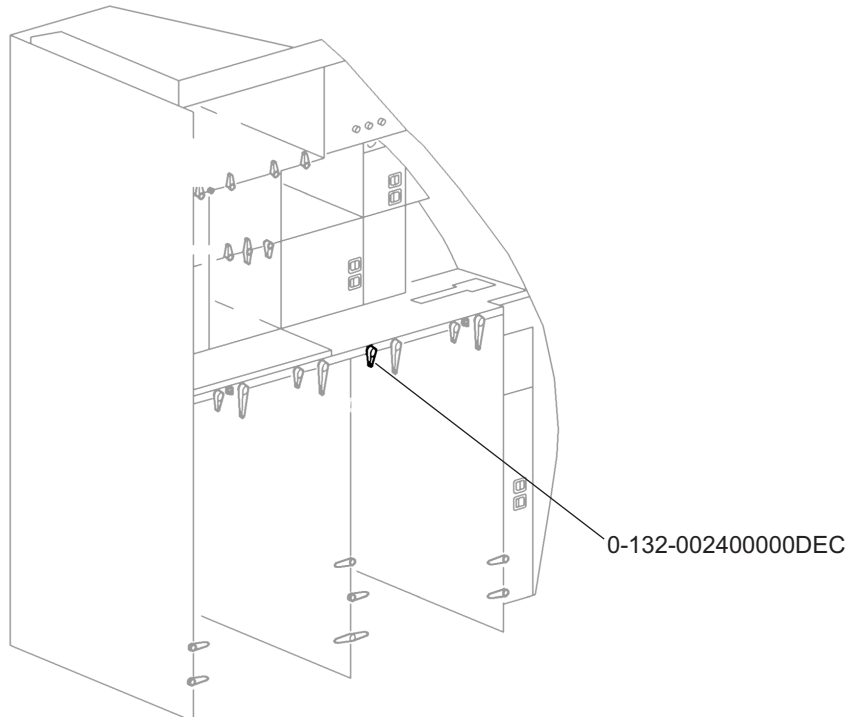
[See FAA-PMA Supplement](#)

IPC Reference:

A319-25-31, A320-25-31
A321-25-31, A330-25-31
A340-25-31, A300-25-32
A310-25-31, B737-25-31
B757-25-31, MD-90-25-31

Quantity:

As required



Location:

Galley (Catch Installation)