

HEICO

STRIP-SEALING

Jet Avion Part Number: M336-094-081-0

CFM International Part Number: 336-094-081-0

Eligibility:

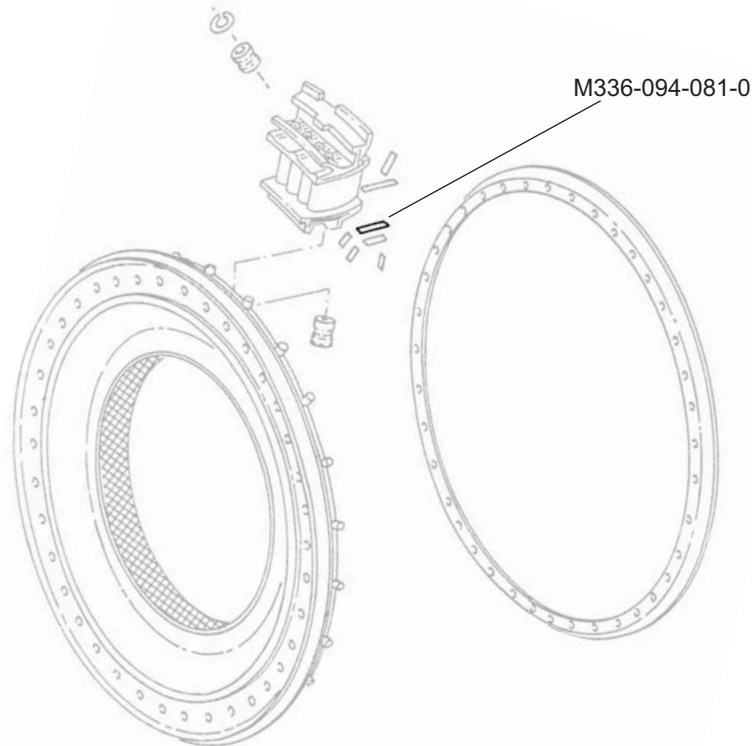
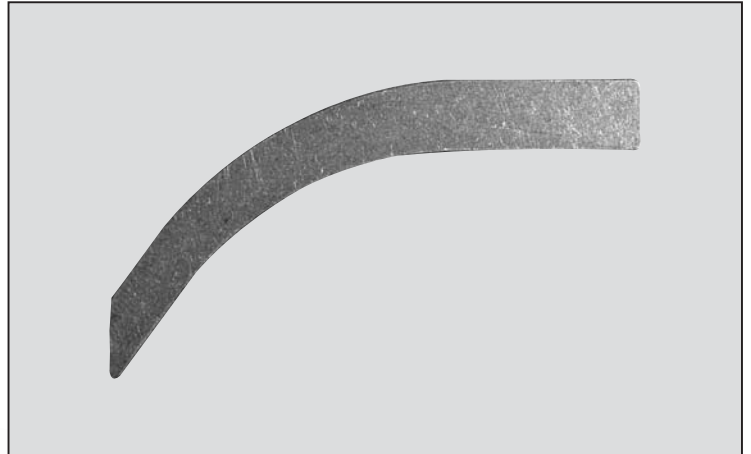
[See FAA PMA Supplement](#)

IPC Reference:

CFM56-72-53

Quantity:

24 per Engine



Location:

Low Pressure Turbine
Rotor/Stator Assy

