

## RETAINER

Turbine Kinetics Part Number KT9523M12G01  
CFM International Part Number 9523M12G01

**Engine Eligibility:**

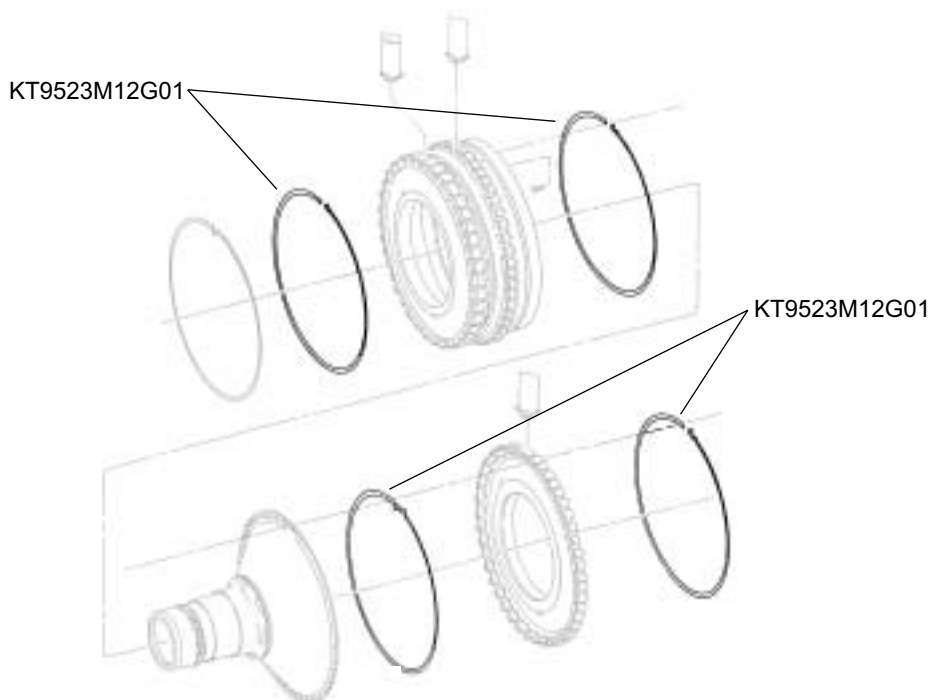
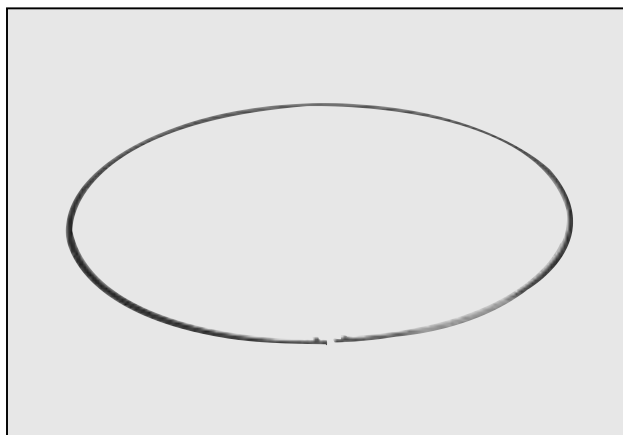
[See FAA/PMA Supplement Index](#)

**IPC Reference:**

CFM56-72-31

**Quantity Per Engine:**

4



**Engine Location:**

Compressor Rotor Assembly

