

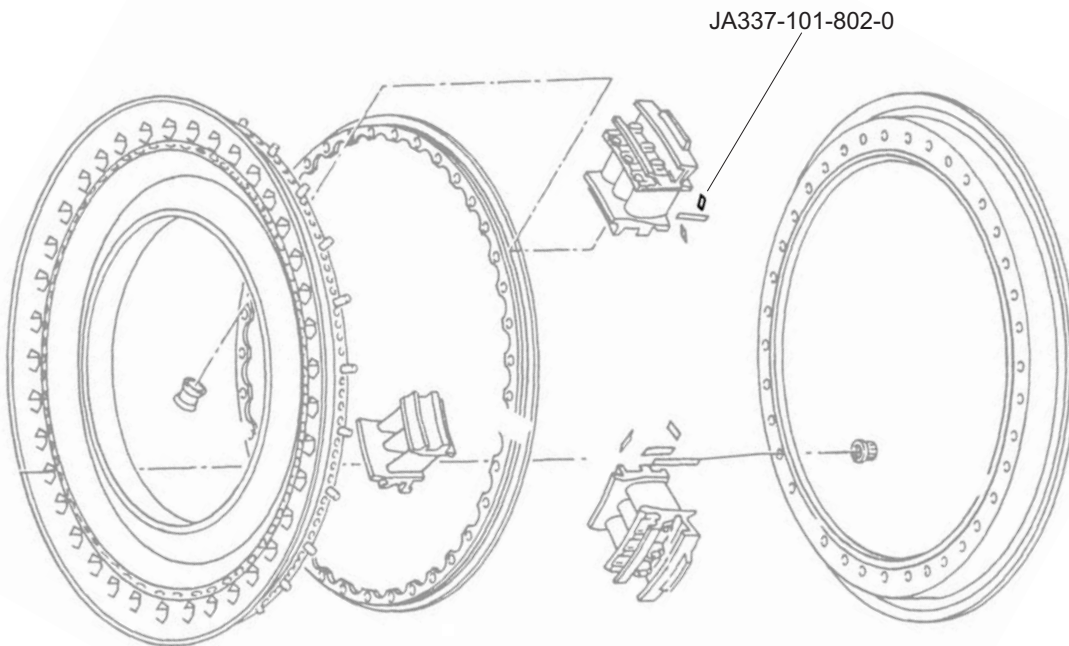
## STRIP-SEALING

Jet Avion Part Number JA337-101-802-0  
CFM International Part Number 337-101-802-0

**Engine Eligibility:**  
[See FAA-PMA Supplement](#)

**IPC Reference:**  
CFM56-5C-72-53

**Quantity:**  
24



**Location:**  
Nozzle Assy - LPT Stage1

