

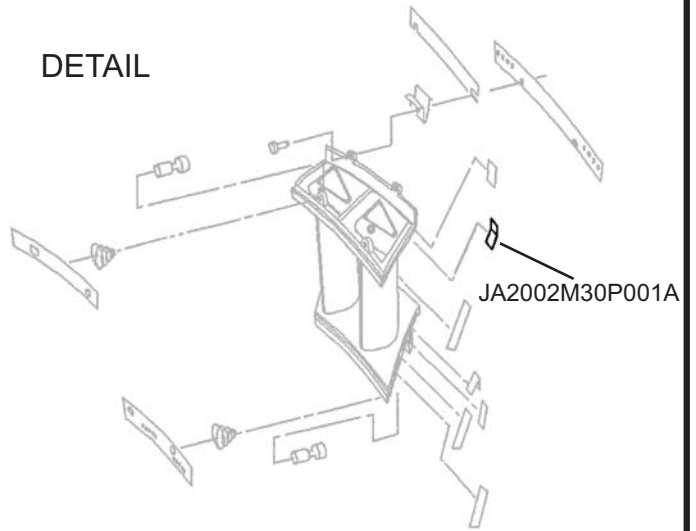
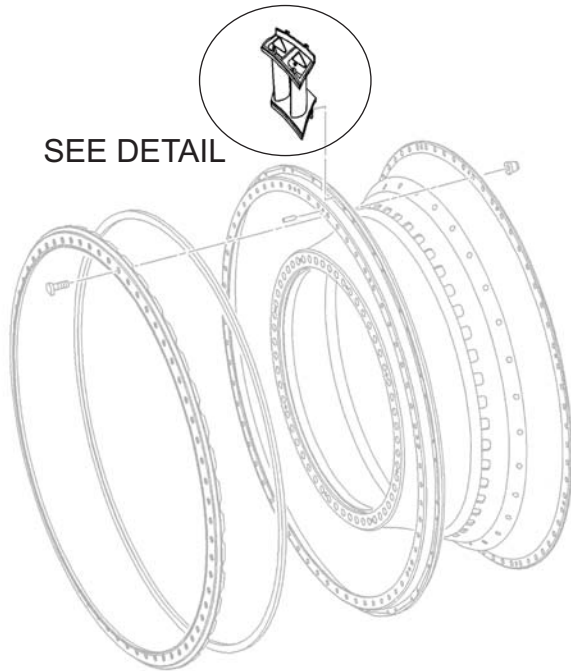
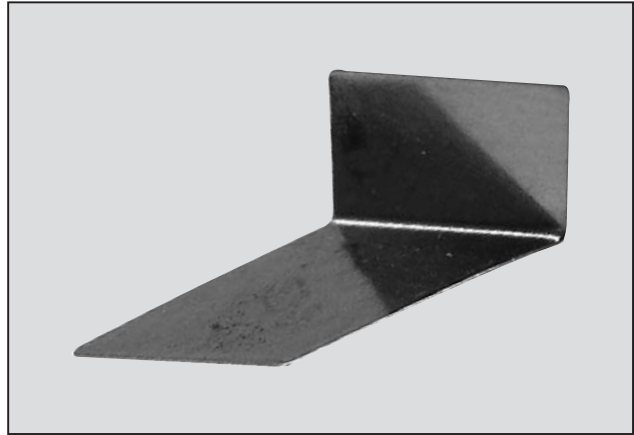
SEAL-HPT NOZZLE OUTER

Jet Avion Part Number JA2002M30P001A
CFM International Part Number 2002M30P001A

Model Eligibility:
[See FAA/PMA Supplement Index](#)

IPC Reference:
CFM56-5B1/2P_72-51
CFM56-7B Series_72-51

Quantity Per Engine:
21



Engine Location:
HPT Nozzle Assembly

