

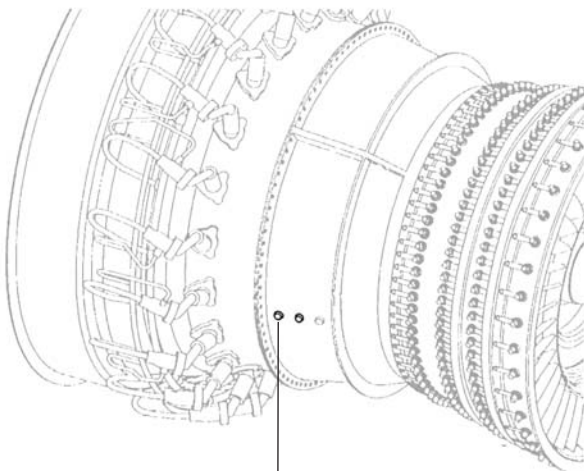
PLUG ASSY BORESCOPE PORT

Turbine Kinetics Part Number DN9992M86G08
CFM International Part Number 9992M86G08

Eligibility:
[See FAA/PMA Supplement](#)

IPC Reference:
CFM56-72-00

Quantity:
As required



DN9992M86G08



Location:
Core Assy-Turbofan

