

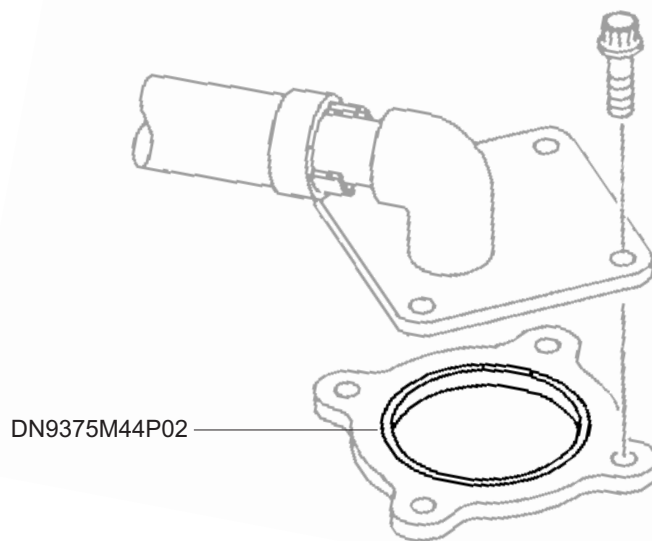
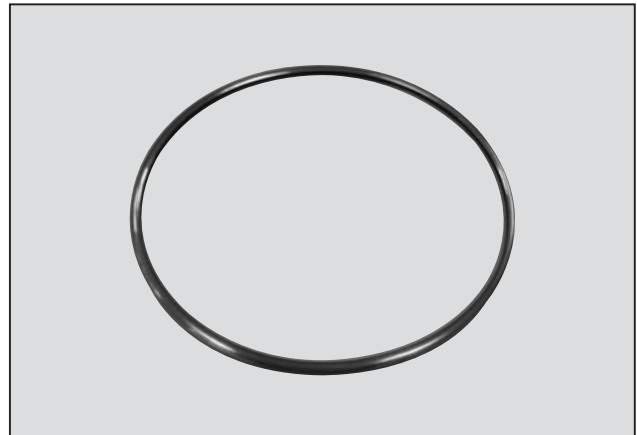
## "C" SEAL

Jet Avion Part Number DN9375M44P02  
CFM International Part Number 9375M44P02

**Engine Eligibility:**  
[See FAA-PMA Supplement](#)

**IPC Reference:**  
CFM56-72-00

**Quantity:**  
2



**Location:**  
Core Assy - Turbofan

