

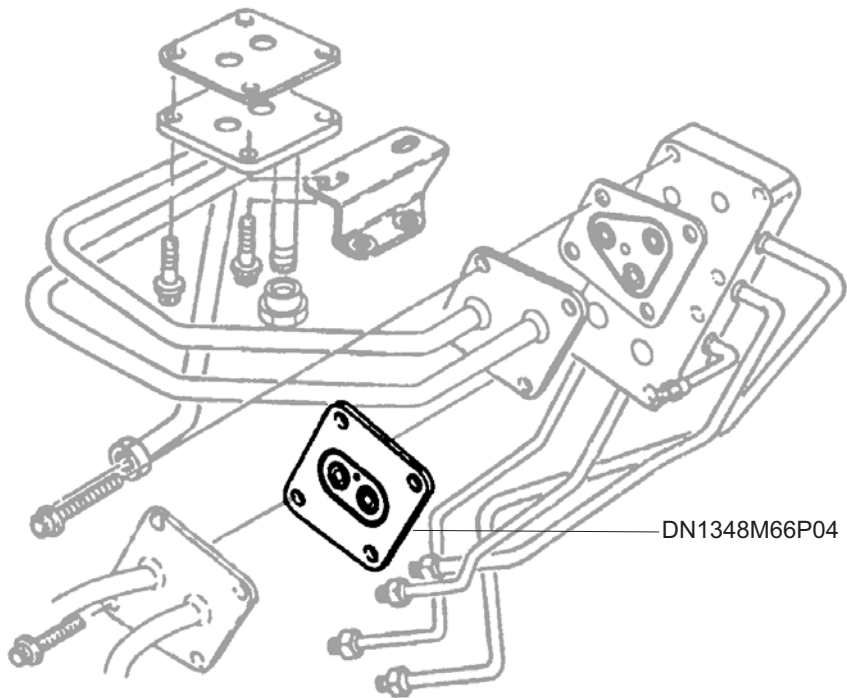
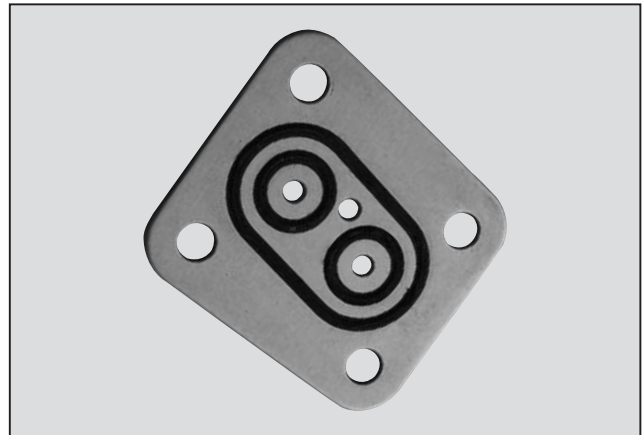
GASKET, SEAL TCC

Jet Avion Part Number DN1348M66P04
CFM International Part Number 1348M66P04

Engine Eligibility:
[See FAA-PMA Supplement](#)

IPC Reference:
CFM56-72-00
CFM56-73-00
CFM56-75-00

Quantity:
7



Location:
Rotor Clearance Control System

