

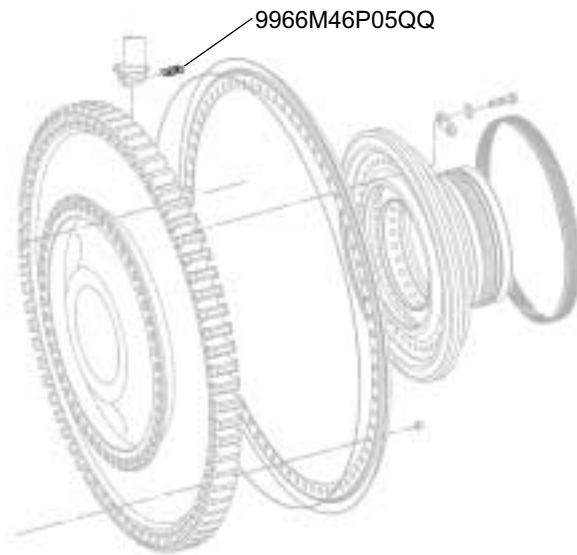
SEAL, BLADE - HIGH PRESSURE TURBINE ROTOR

Turbine Kinetics Part Number 9966M46P05QQ
CFM International Part Number 9966M46P05

Engine Eligibility:
[See FAA/PMA Supplement](#)

IPC Reference:
CFM56-72-52

Quantity Per Engine:
72



Engine Location:
HPT Rotor Assembly

