

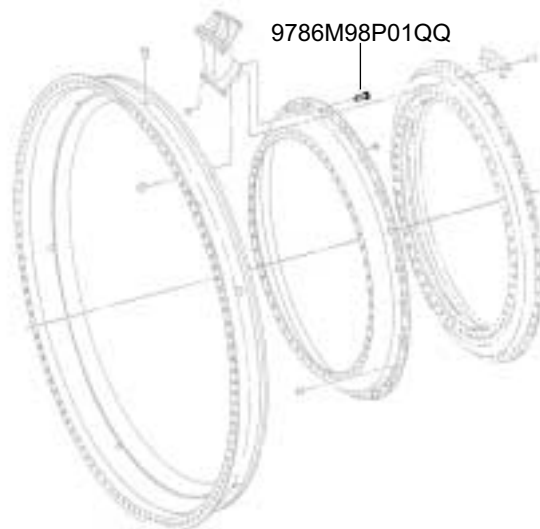
## SCREW

Turbine Kinetics Part Number 9786M98P01QQ - P02QQ  
CFM International Part Number 9786M98P01 - P02

**Engine Eligibility:**  
[See FAA/PMA Supplement](#)

**IPC Reference:**  
CFM56-72-41  
CFM56-72-51  
and Additional IPC References

**Quantity Per Engine:**  
As Required



**Engine Location:**  
Combustion Case Assembly,  
HPT Nozzle Assembly and  
Additional Engine Locations

