

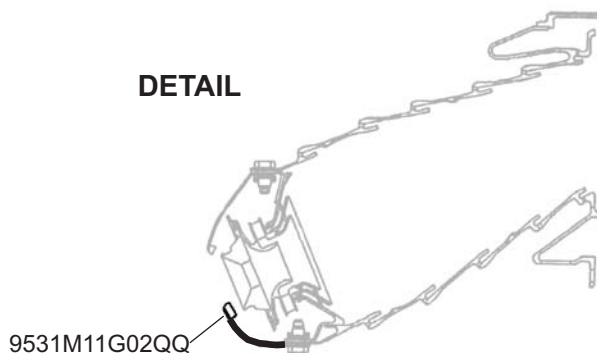
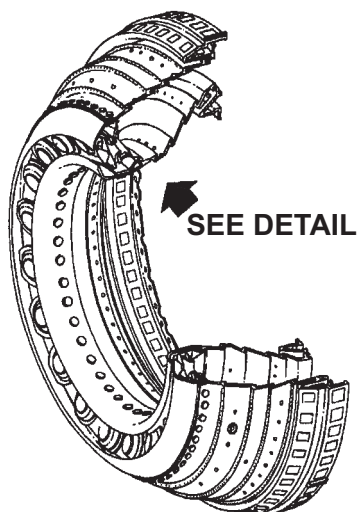
## COWL, INNER CHAMBER

Turbine Kinetics Part Number 9531M11G02QQ  
CFM International Part Number 9531M11G02

**Model Eligibility:**  
See FAA/PMA Supplement

**IPC Reference:**  
CFM56-72-42

**Quantity Per Engine:**  
1



**Engine Location:**  
Combustion Chamber Assembly

