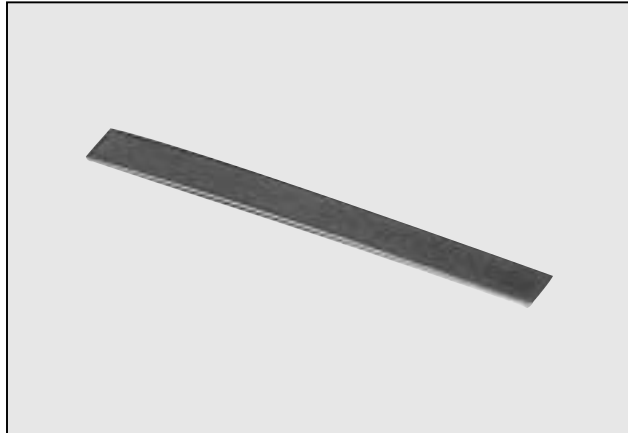


SEAL

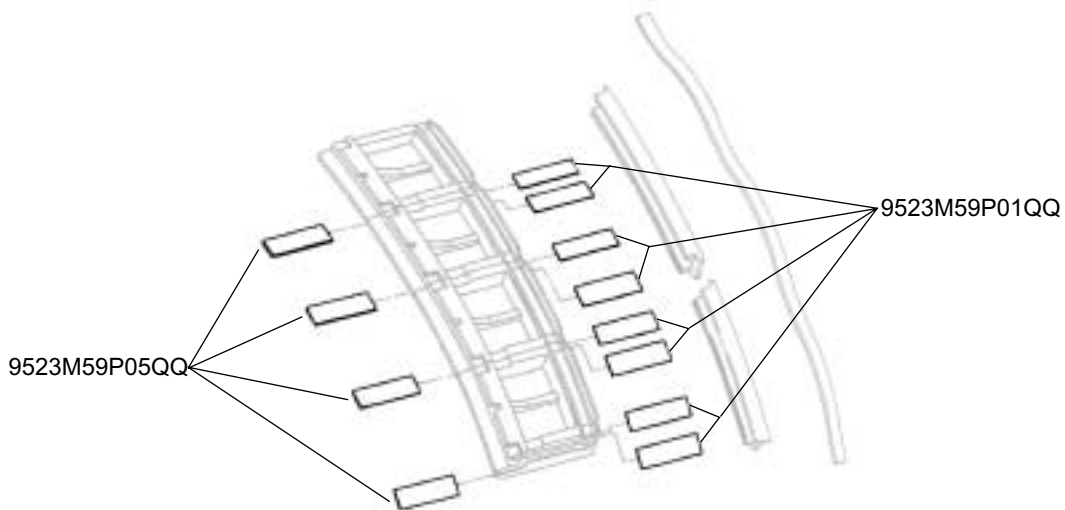
Turbine Kinetics Part Number 9523M59P01QQ, P05 - P08QQ
CFM International Part Number 9523M59P01, P05 - P08

Engine Eligibility:
[See FAA/PMA Supplement](#)



IPC Reference:
CFM56-72-53

Quantity Per Engine:
As Required



Engine Location:
HPT Shroud / Stage 1 LPT
Nozzle Assembly

