

SEAL, HONEY - COMB, STATIONARY HIGH PRESSURE TURBINE, INNER AND OUTER

Turbine Kinetics Part Number 9512M40P01QQ - P09QQ

CFM International Part Number 9512M40P01 - P09

Engine Eligibility:

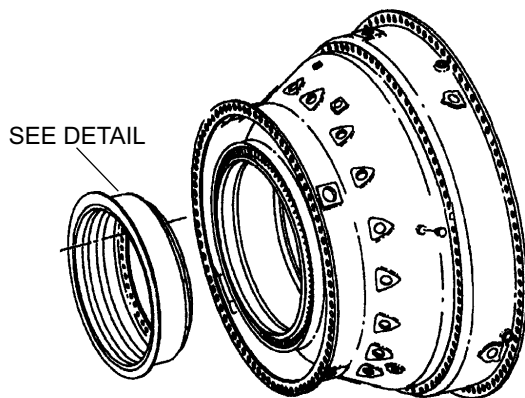
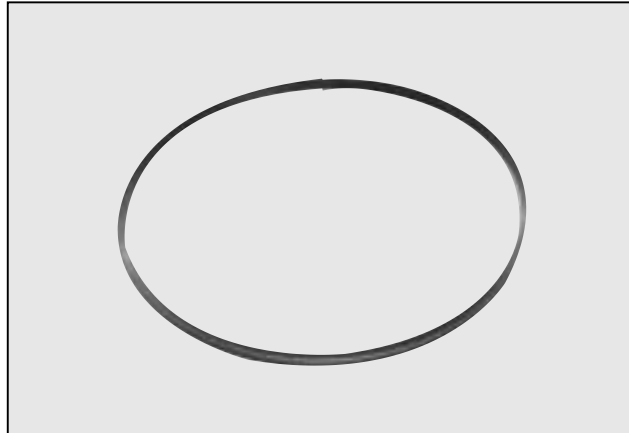
[See FAA/PMA Supplement](#)

IPC Reference:

CFM56-72-41

Quantity Per Engine:

As Required



DETAIL



Engine Location:

Combustion Case Assembly

