

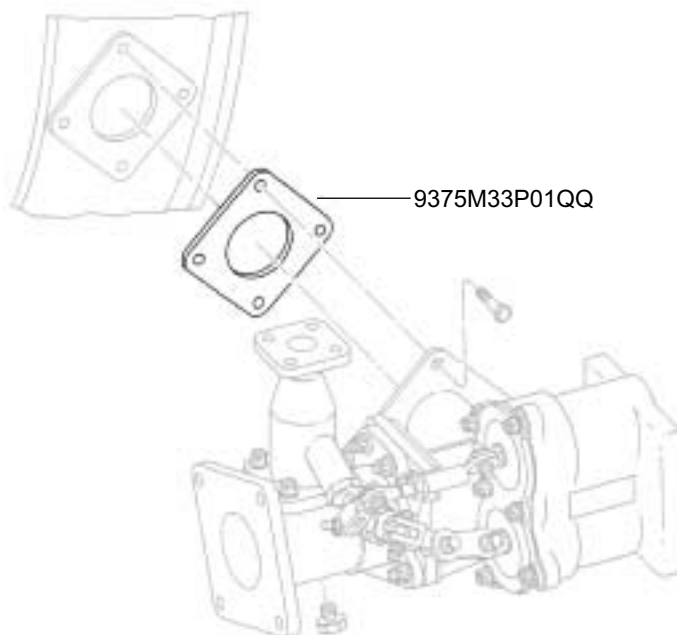
## GASKET

Turbine Kinetics Part Number 9375M33P01QQ, P02QQ  
CFM International Part Number 9375M33P01, P02

**Engine Eligibility:**  
[See FAA/PMA Supplement](#)

**IPC Reference:**  
CFM56-72-00  
CFM56-75-00  
and Additional IPC References

**Quantity Per Engine:**  
As Required



**Engine Location:**  
Core Assembly - Turbofan  
and Engine Air and Additional  
Engine Locations

