

INSULATION BLANKET, THERMAL

Thermal Structures Part Number 7-970137
CFM International Part Number 337-110-401-0

Engine Eligibility:

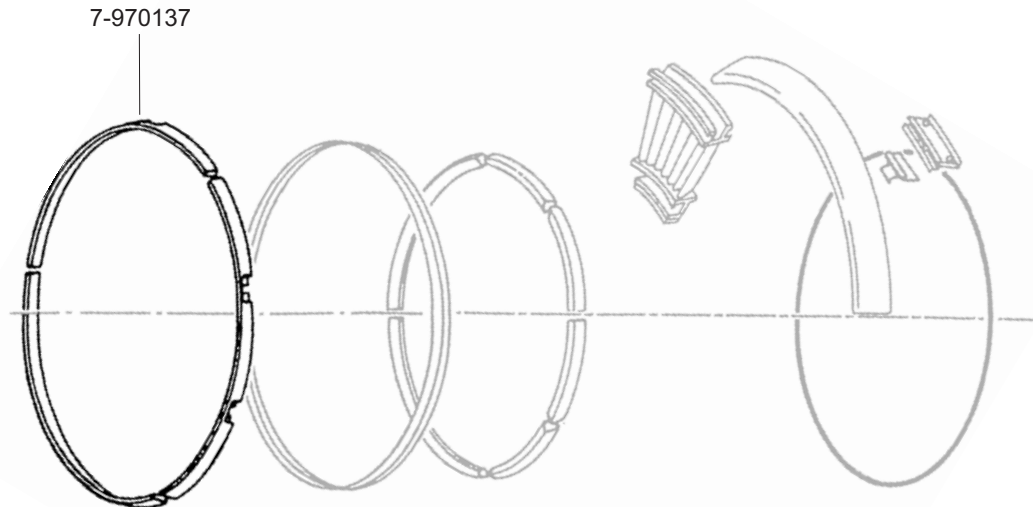
[See FAAPMA Supplement](#)

IPC Reference:

CFM56-72-00

Quantity Per Engine:

2



Engine Location:

Turbine Assy - Low Pressure

