

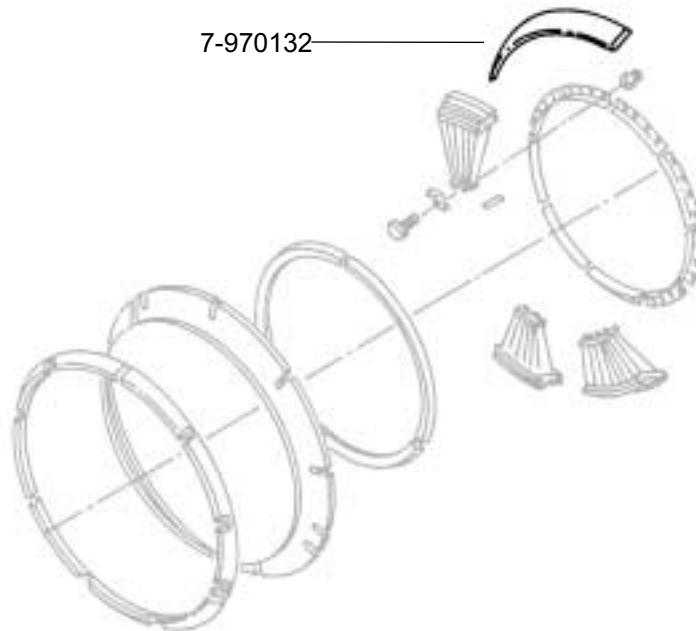
## INSULATION BLANKET, THERMAL

Thermal Structures Part Number 7-970132  
CFM International Part Number 336-042-620-0

**Engine Eligibility:**  
[See FAA/PMA Supplement](#)

**IPC Reference:**  
CFM56-72-54

**Quantity Per Engine:**  
5



**Engine Location:**  
LPT Rotor / Stator Assembly

