

BOLT, D- HEAD

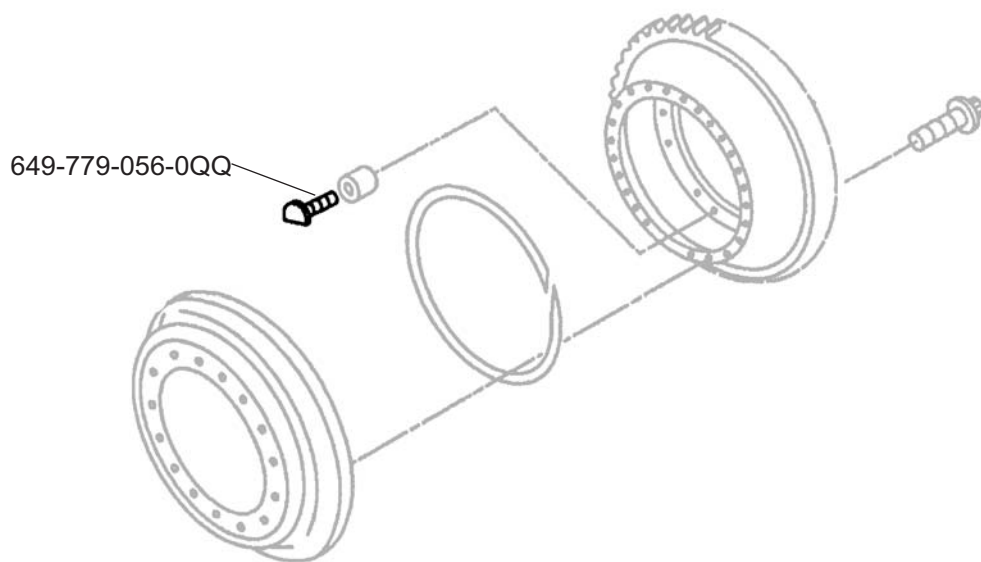
Turbine Kinetics Part Number 649-779-056-0QQ

CFM International Part Number 649-779-056-0

Model Eligibility:
See FAA/PMA Supplement

IPC Reference:
CFM56-72-54

Quantity Per Engine:
40



Engine Location:
LPT Rotor / Stator Assembly

