

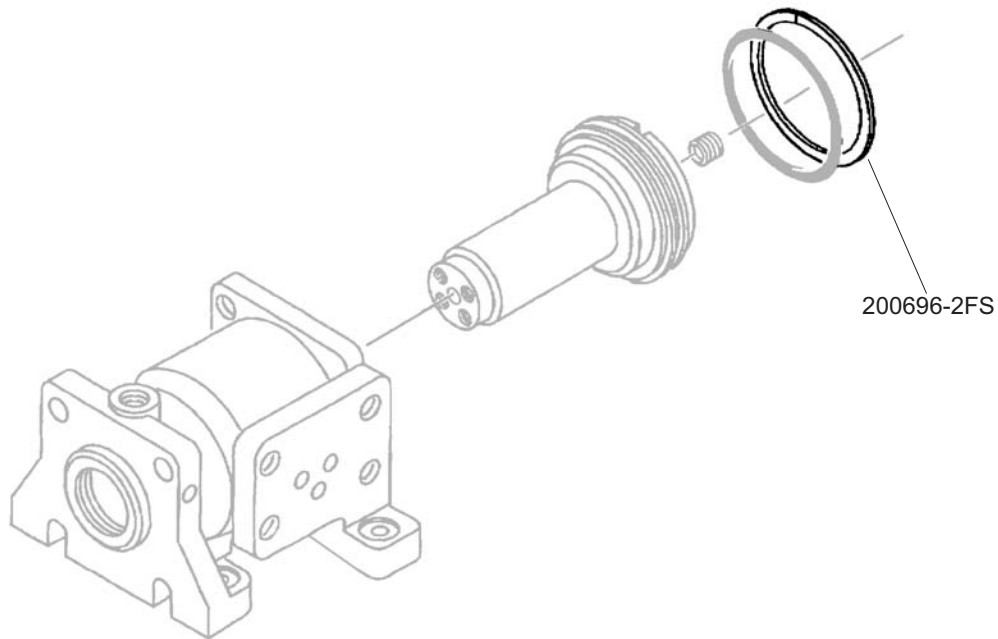
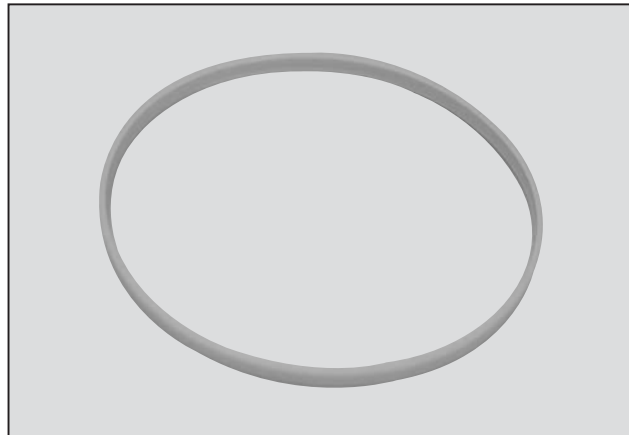
SEAL, SLIPPER

Flight Specialties Part Number 200696-2FS
Meggitt-Whittaker Part Number 200696-2

Engine Eligibility:
[See FAA-PMA Supplement Index](#)

IPC Reference:
CFM56-5-75-23

Quantity Per Engine:
1



Engine Location:
Actuator Assembly

