

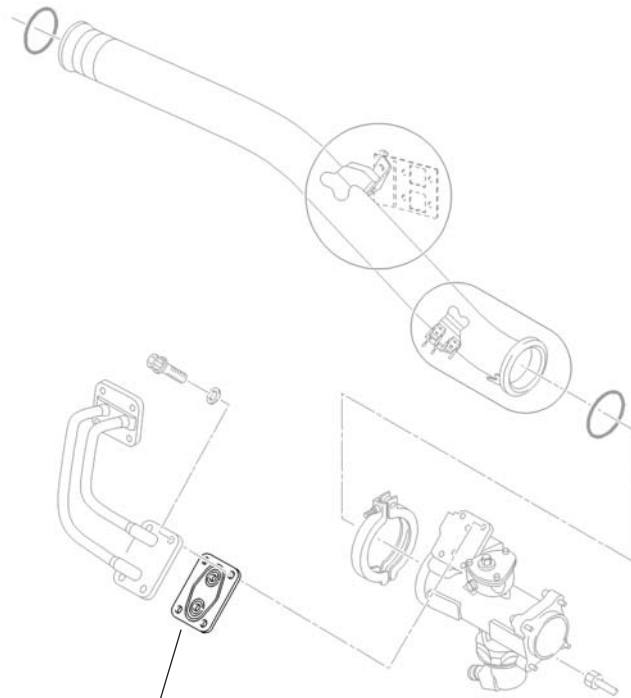
## GASKET - SEAL

Seal Dynamics Part Number 1882M11P01SD  
CFM International Part Number 1882M11P01

**Eligibility:**  
[See FAA-PMA Supplement](#)

**IPC Reference:**  
CFM56-5A-72-00  
CFM56-5B-75-00

**Quantity:**  
From 1 to 6



1882M11P01SD

**Location:**  
Engine Assy

