

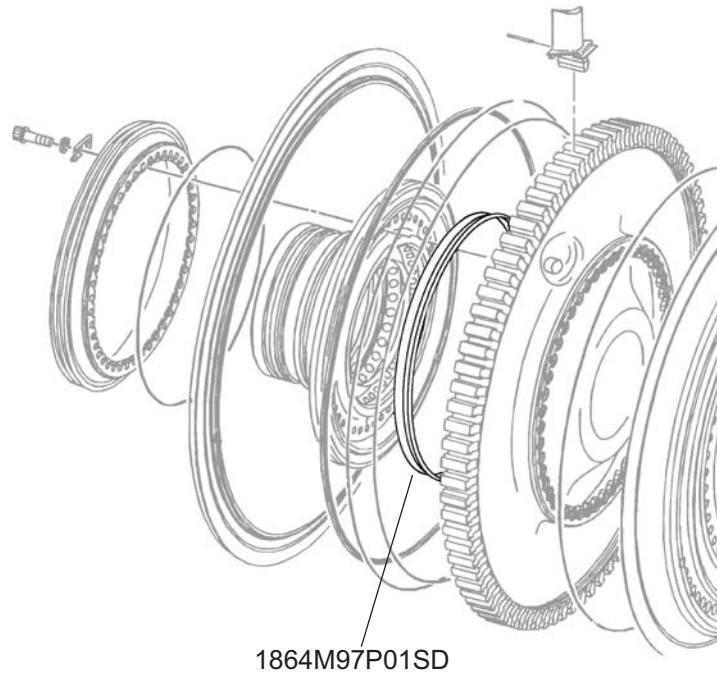
SLEEVE-DAMPER

Seal Dynamics Part Number 1864M97P01SD
CFM International Part Number 1864M97P01

Eligibility:
[See FAA-PMA Supplement](#)

IPC Reference:
CFM56-5A-72-52

Quantity:
1



Location:
Core Assy-Turbofan CFM56
(HPT Rotor Assembly Only)

