

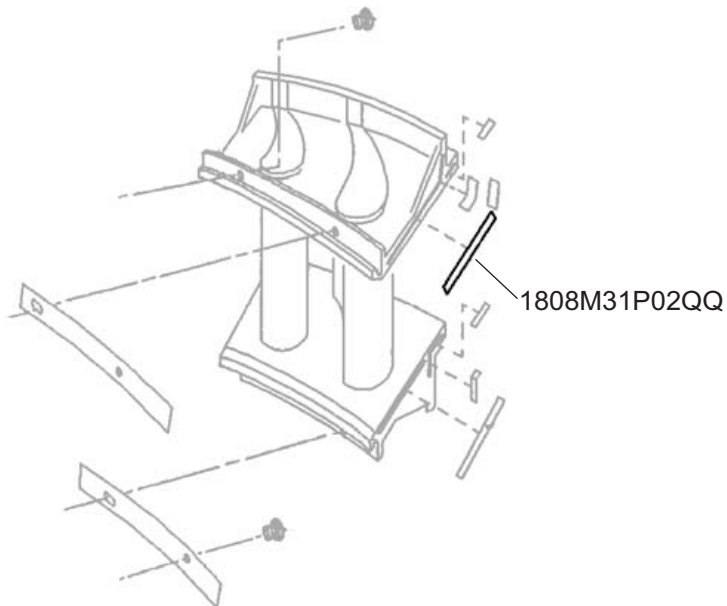
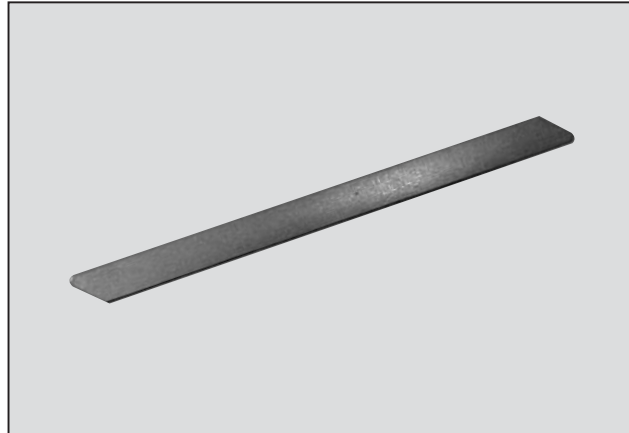
## SEAL, HPT NOZZLE

Turbine Kinetics Part Number 1808M31P02QQ  
CFM International Part Number 1808M31P02

**Model Eligibility:**  
See FAA/PMA Supplement

**IPC Reference:**  
CFM56-72-51

**Quantity Per Engine:**  
23



**Engine Location:**  
HPT Nozzle Assembly

