

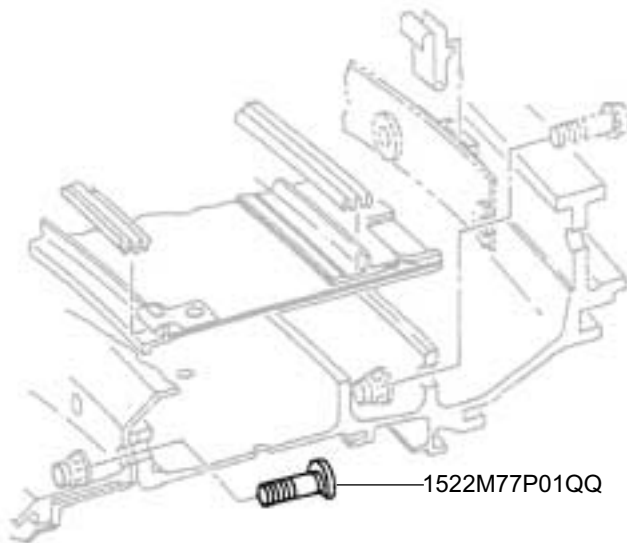
## BOLT

Turbine Kinetics Part Number 1522M77P01QQ - P04QQ  
CFM International Part Number 1522M77P01 - P04

**Engine Eligibility:**  
[See FAA/PMA Supplement](#)

**IPC Reference:**  
CFM56-72-00

**Quantity Per Engine:**  
As Required



**Engine Location:**  
Core Assembly - Turbofan

