

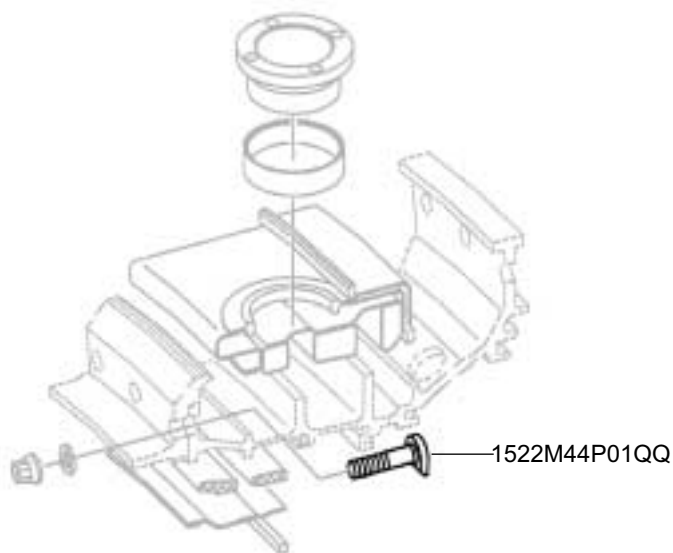
BOLT

Turbine Kinetics Part Number 1522M44P01QQ - P04QQ
CFM International Part Number 1522M44P01 - P04

Engine Eligibility:
[See FAA/PMA Supplement](#)

IPC Reference:
CFM56-72-00

Quantity Per Engine:
As Required



Engine Location:
Core Assembly - Turbofan

