

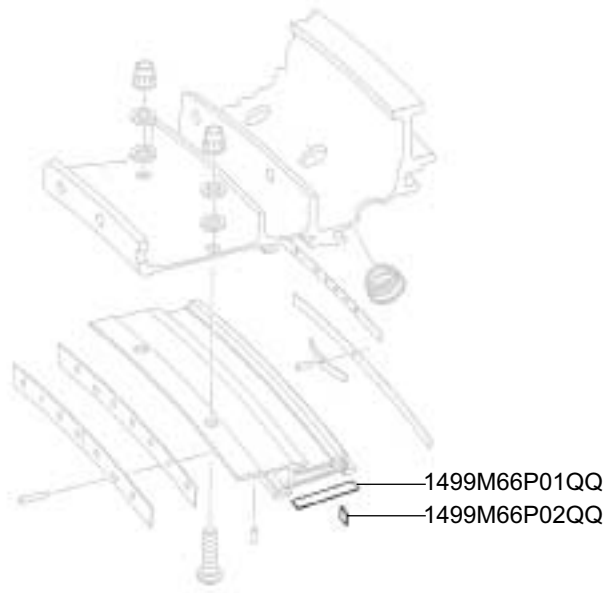
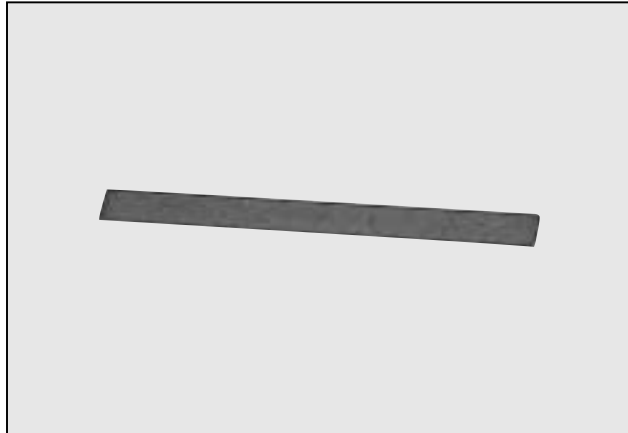
## SEAL, SPLINE

Turbine Kinetics Part Number 1499M66P01QQ, P02QQ  
CFM International Part Number 1499M66P01, P02

**Engine Eligibility:**  
[See FAA/PMA Supplement](#)

**IPC Reference:**  
CFM56-72-53

**Quantity Per Engine:**  
23



**Engine Location:**  
HPT Shroud / Stage 1 LPT  
Nozzle Assembly

