

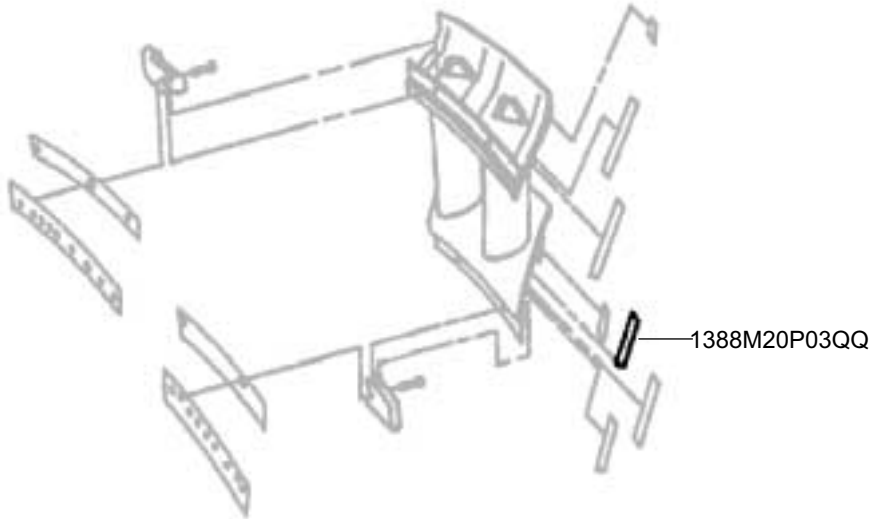
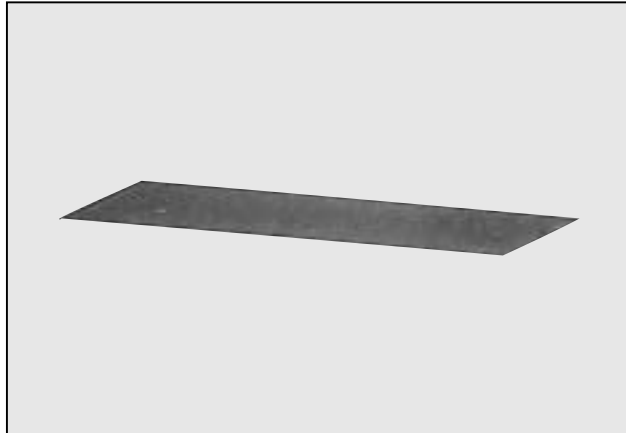
## SEAL

Turbine Kinetics Part Number 1388M20P03QQ  
CFM International Part Number 1388M20P03

**Engine Eligibility:**  
[See FAA/PMA Supplement](#)

**IPC Reference:**  
CFM56-72-51

**Quantity Per Engine:**  
As Required



**Engine Location:**  
HPT Nozzle Assembly

