

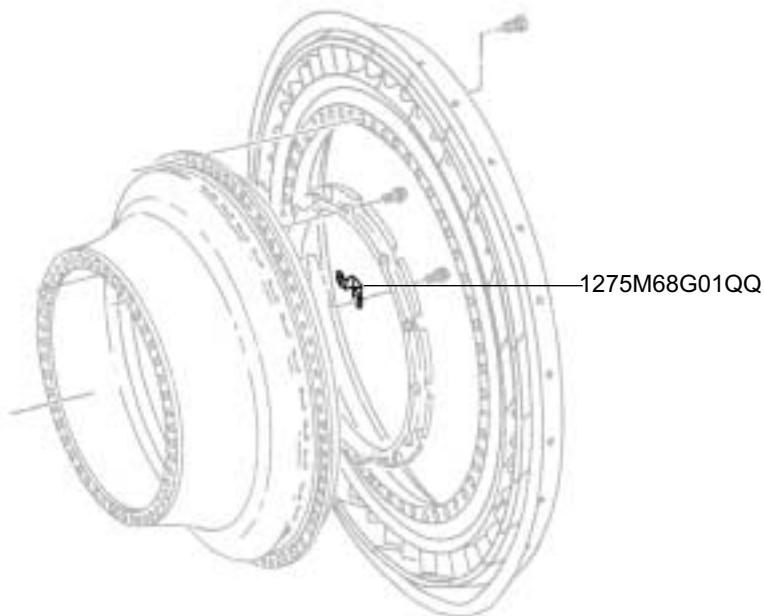
SHIELD

Turbine Kinetics Part Number 1275M68G01QQ, G02QQ
CFM International Part Number 1275M68G01, G02

Engine Eligibility:
[See FAA/PMA Supplement](#)

IPC Reference:
CFM56-72-41

Quantity Per Engine:
12



Engine Location:
Combustion Case Assembly

