

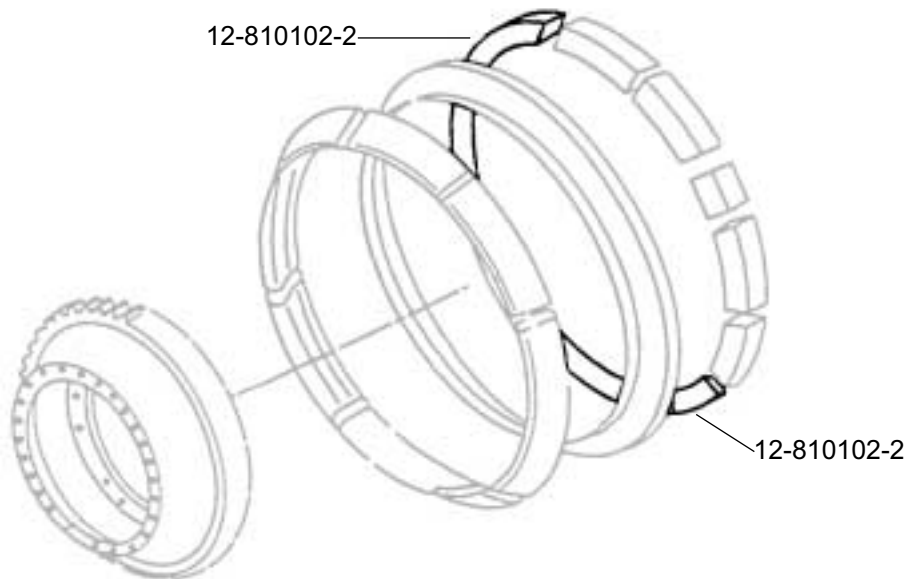
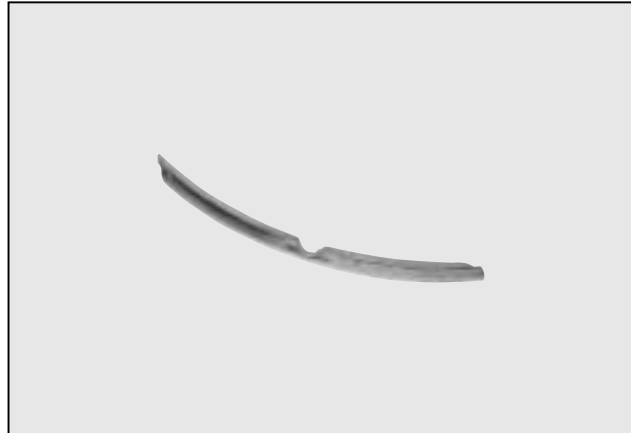
THERMAL INSULATION BLANKET

Thermal Structures Part Number 12-810102-2
CFM International Part Number 305-393-901-0

Engine Eligibility:
[See FAA/PMA Supplement](#)

IPC Reference:
CFM56-72-54

Quantity Per Engine:
2



Engine Location:
LPT Rotor / Stator Assembly

