

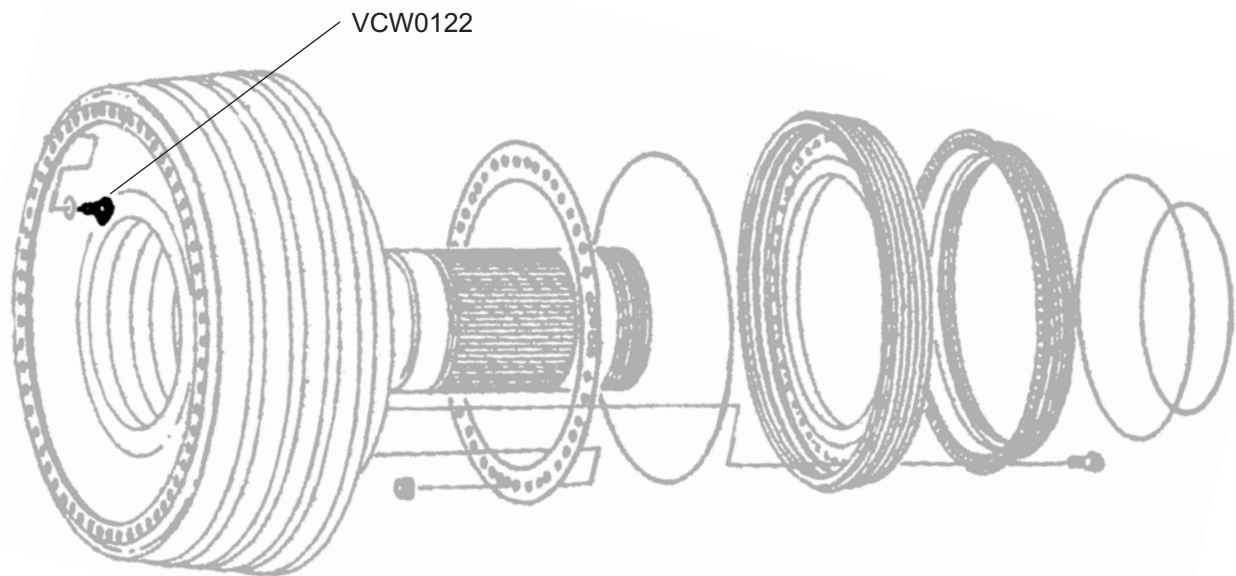
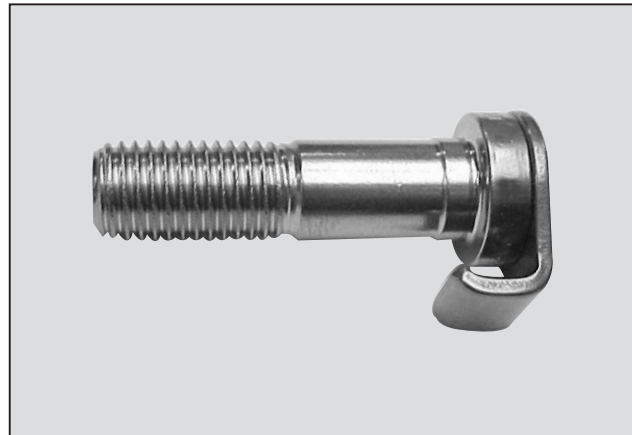
BOLT-HOOK

Turbine Kinetics Part Number VCW0122
General Electric Part Number 1664M98P09

Engine Eligibility:
See FAA-PMA Supplement Index

IPC Reference:
CF6-72-31

Quantity Per Engine:
60



Location:
Rotor Assy - Compressor

