

# HEICO

## COUPLING, CLAMP GROOVED

Jet Avion Part Number: M9187M73P164

General Electric Part Number: 9187M73P164

**Eligibility:**

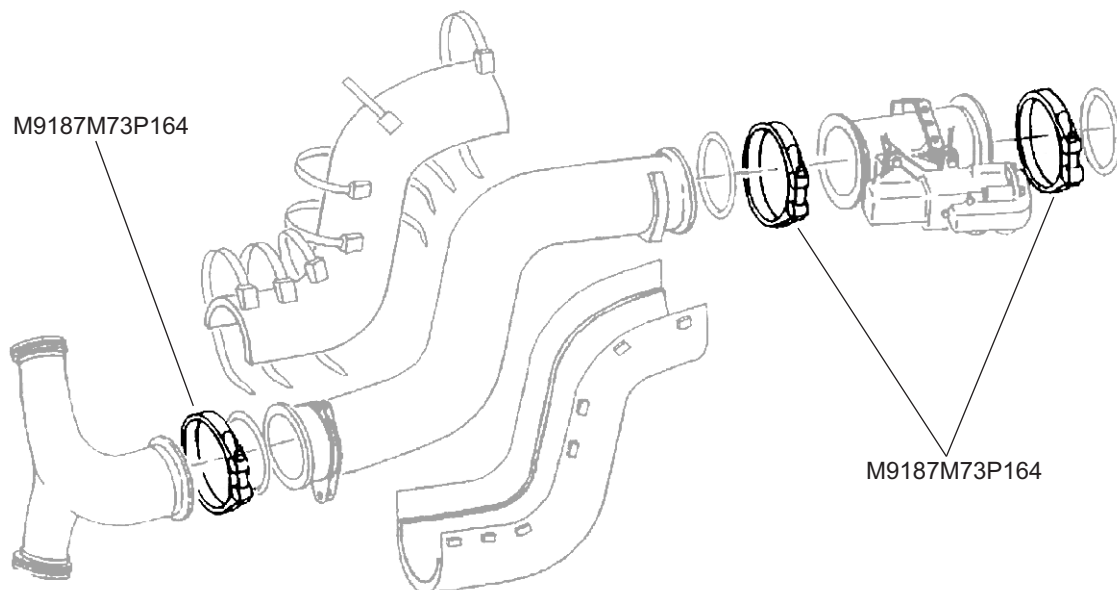
[See FAA PMA Supplement](#)

**IPC Reference:**

CF6-80C2-72-00, CF6-80C2-75-00  
CF6-80E1-72-00, CF6-80E1-75-21

**Quantity:**

3 per Engine



**Location:**

Air System-LPT and HPT ACC  
Cooling and 11th Stage Tubing