

HEICO

RING, PISTON

Jet Avion Part Number: M1538M29P06

General Electric Part Number: 1538M29P06

Eligibility:

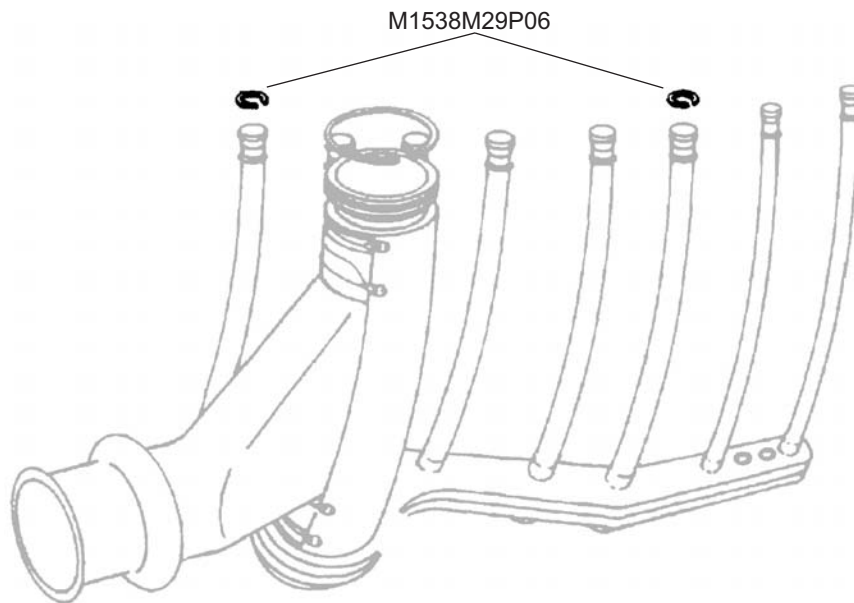
[See FAA PMA Supplement](#)

IPC Reference:

CF6-80C2-72-00

Quantity:

72 per Engine



Location:

Low Pressure Turbine
Module - Manifold

