

SCREW

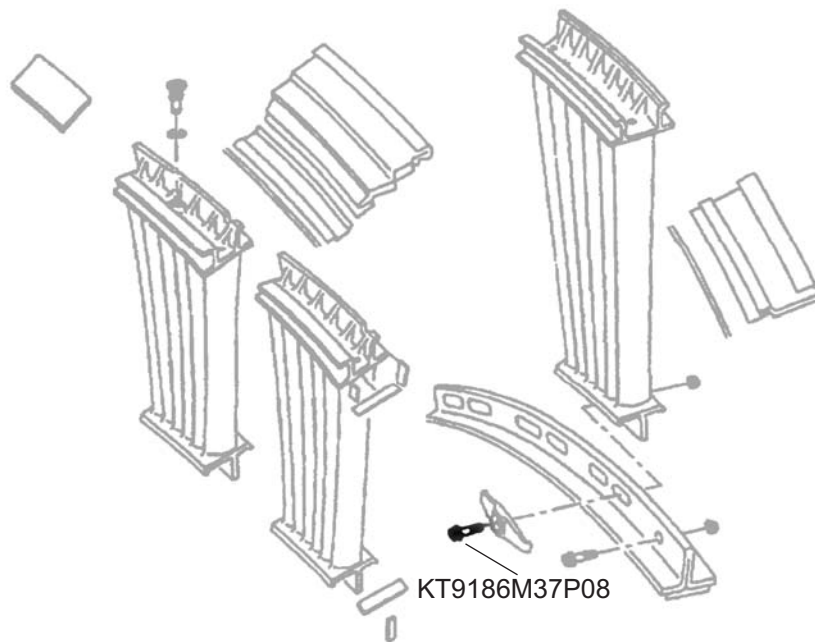
Turbine Kinetics Part Number KT9186M37P08

General Electric Part Number 9186M37P08

Model Eligibility:
See FAA/PMA Supplement

IPC Reference:
CF6-80C2-72-56
CF6-80E1-72-56

Quantity Per Engine:
CF6-80C2 56
CF6-80E 18



Engine Location:
Rotor/Stator Assembly-LPT

