

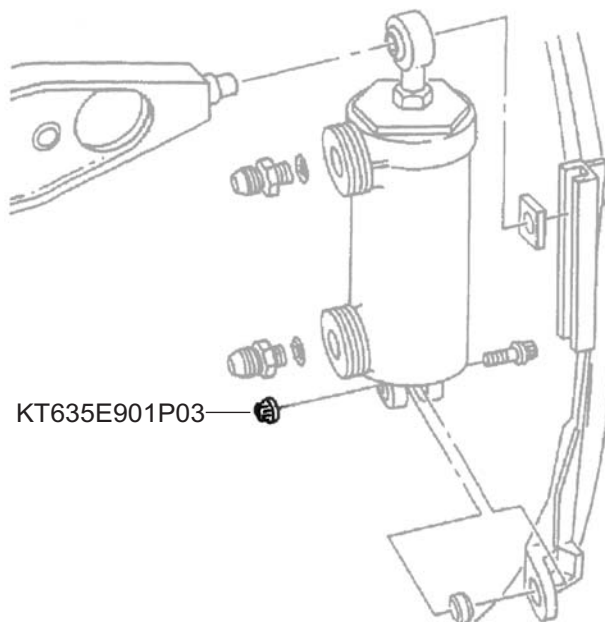
NUT

Turbine Kinetics Part Number KT635E901P03
General Electric Part Number 635E901P03

Model Eligibility:
See FAA/PMA Supplement

IPC Reference:
CF6-80C2-72-00
CF6-80E-72-31
CF6-80E-72-32

Quantity Per Engine:
CF6-80C2 2
CF6-80E-72-31 60
CF6-80E-72-32 1



Engine Location:
VSV Actuation System,
Compressor Rotor Assembly, and
Stator Assembly-Compressor Vanes

