

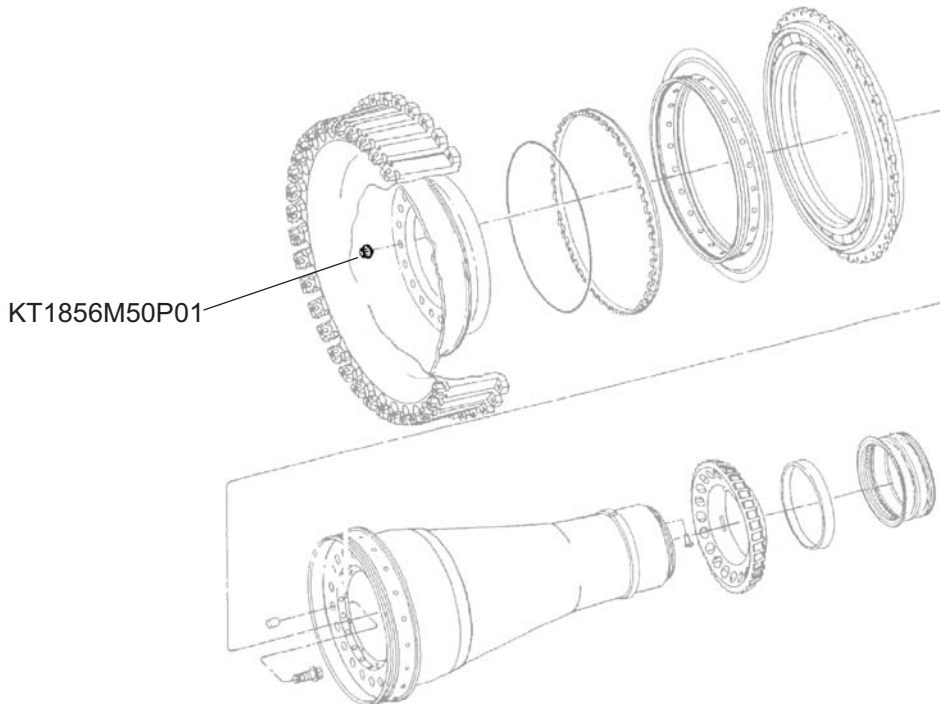
NUT, SELF-LOCKING

Turbine Kinetics Part Number KT1856M50P01
General Electric Part Number 1856M50P01

Eligibility:
[See FAA-PMA Supplement](#)

IPC Reference:
CF6-72-21

Quantity:
20



Location:
Rotor-Fan Assembly

