

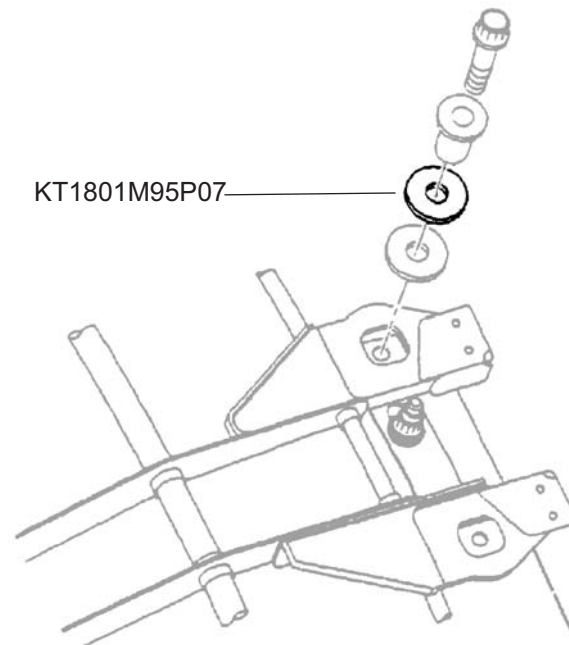
## WASHER-SPR TENSION

Turbine Kinetics Part Number KT1801M95P07  
General Electric Part Number 1801M95P07

**Eligibility:**  
[See FAA-PMA Supplement](#)

**IPC Reference:**  
CF6-72-00  
CF6-75-00

**Quantity :**  
As required



**Location:**  
Low Pressure Turbine Module-Manifolds