

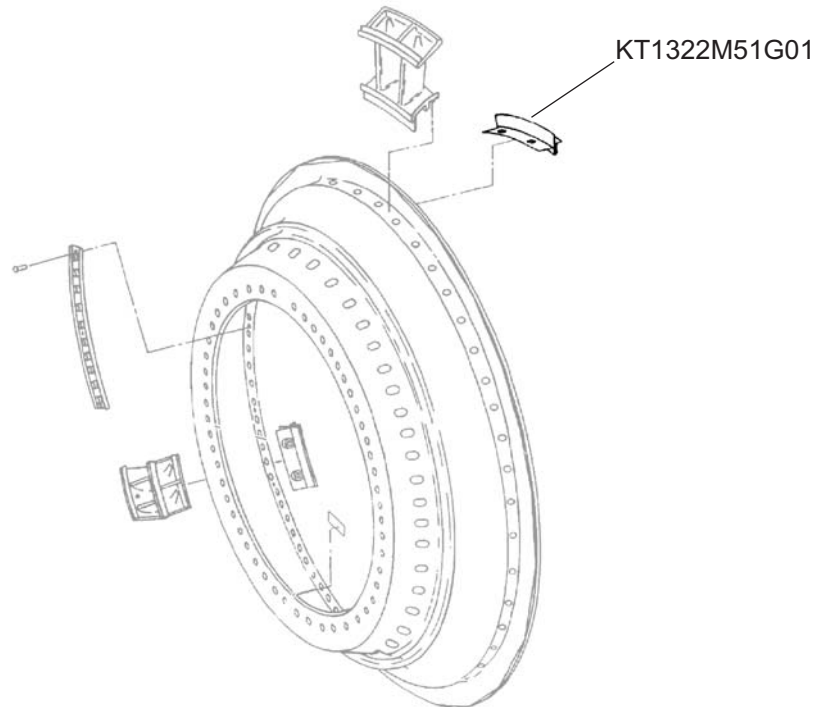
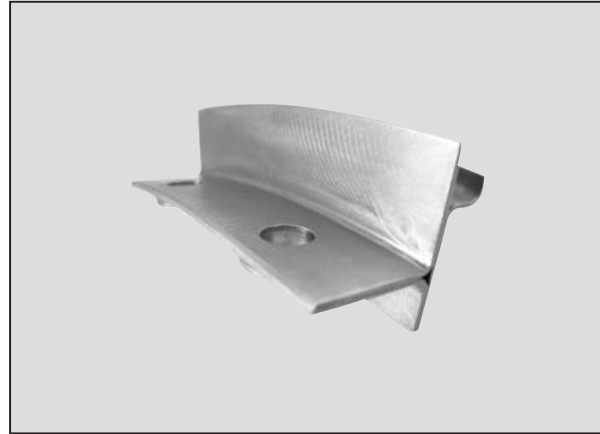
BAFFLE, AIR COVER

Turbine Kinetics Part Number KT1322M51G01
General Electric Part Number 1322M51G01

Eligibility:
[See FAA/PMA Supplement](#)

IPC Reference:
CF6-72-51

Quantity:
22



Location:
Nozzle Assy-HPT STG 1

