

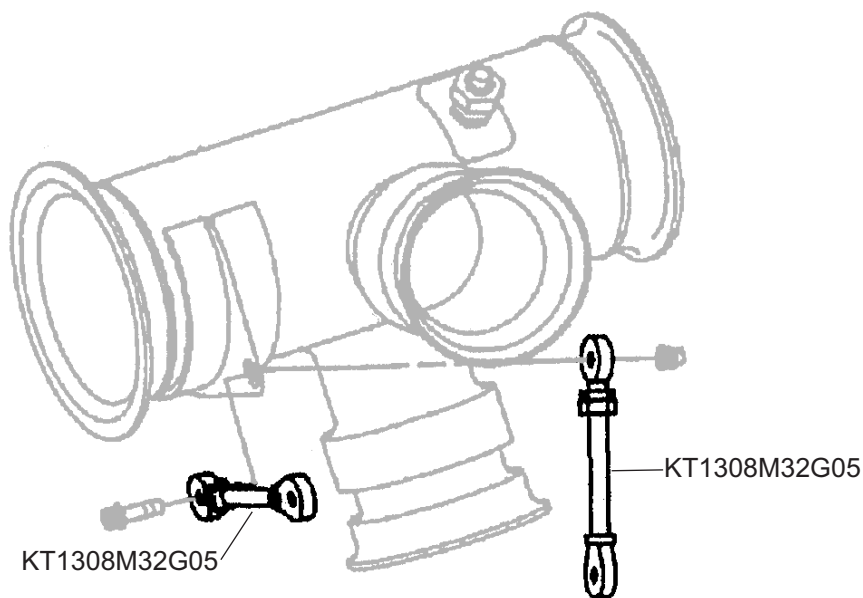
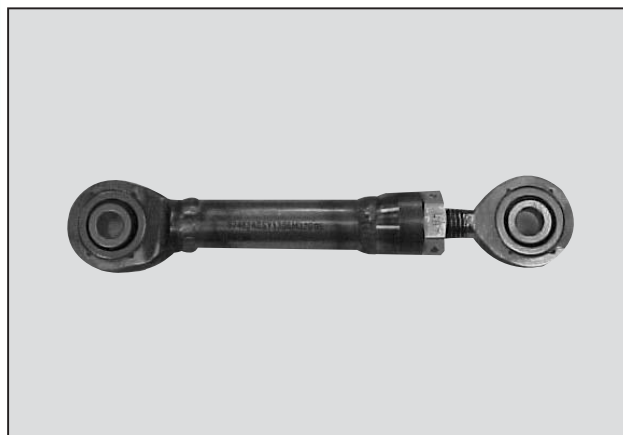
LINK, SUPPORT

Turbine Kinetics Part Number KT1308M32G05
General Electric Part Number 1308M32G05

Model Eligibility:
See FAA/PMA Supplement

IPC Reference:
CF6-80C2-72-00

Quantity Per Engine:
As Required



Engine Location:
LPT and HPT Accumulator
Cooling Tubes

