

STOP, BLADE RETAINER, CMPR ROTOR STG 2

Turbine Kinetics Part KT-1243
General Electric Part Number 9173M86P03

Engine Eligibility:

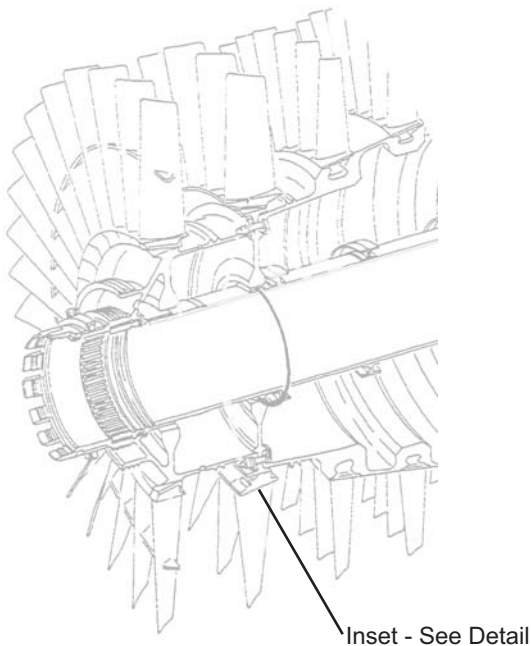
[See FAA/PMA Supplement Index](#)

IPC Reference:

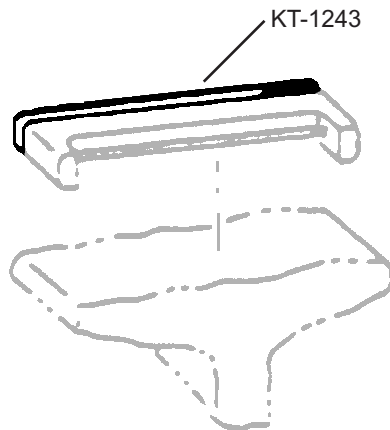
CF6-50-72-31
CF6-80A-72-31
CF6-80C2-72-31

Quantity Per Engine:

26



DETAIL



Engine Location:

Compressor Rotor Assembly

