

## RETAINER

Jet Avion Part Number JK00031P06  
General Electric Part Number 9083M19P06

**Engine Eligibility:**

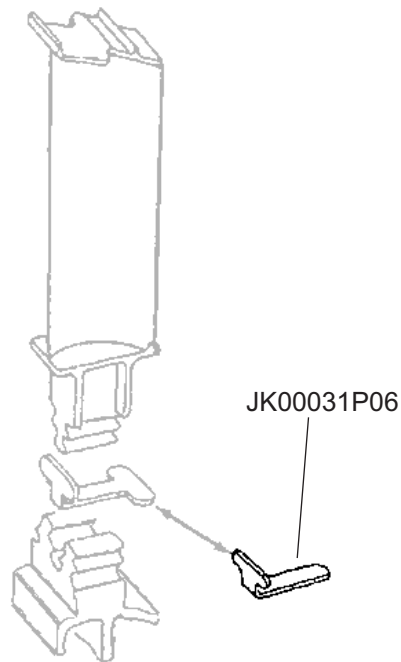
[See FAA-PMA Supplement Index](#)

**IPC Reference:**

CF6-6,-50,72-57

**Quantity Per Engine:**

128



**Location:**

Low Pressure Turbine  
Rotor Assy

