

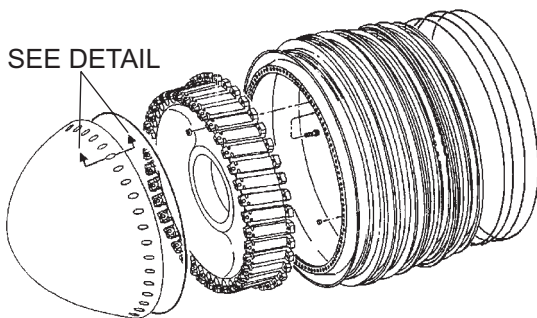
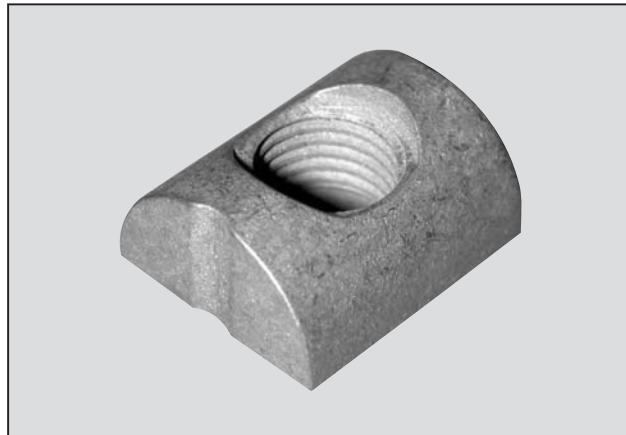
NUT-SLFGK

Jet Avion Part Number JA9135M52P04
General Electric Part Number 9135M52P04

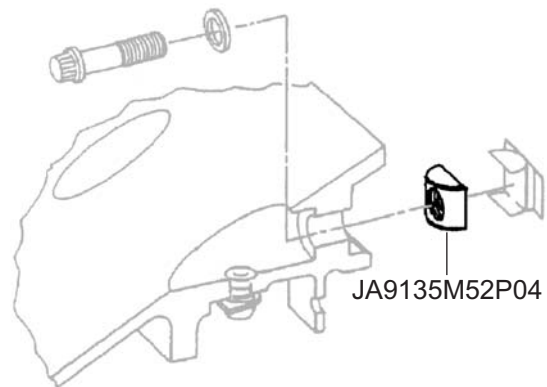
Model Eligibility:
See FAA/PMA Supplement

IPC Reference:
CF6-45/50-72-21
CF6-80-72-21

Quantity Per Engine:
38



DETAIL



Engine Location:
Fan Rotor/Spinner Assembly

