

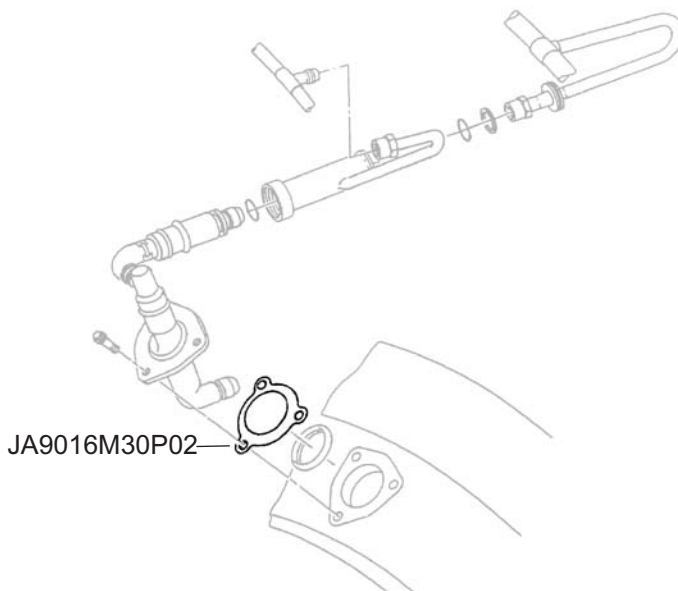
SEAL-RING

Jet Avion Part Number JA9016M30P02
General Electric Part Number 9016M30P02

Model Eligibility:
See FAA/PMA Supplement

IPC Reference:
CF6-45/50-72-34
CF6-80-72-34

Quantity Per Engine:
30



Engine Location:
Compressor Rear Frame

