

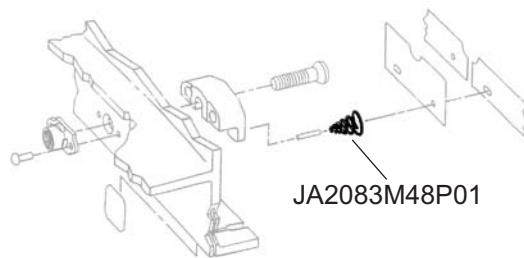
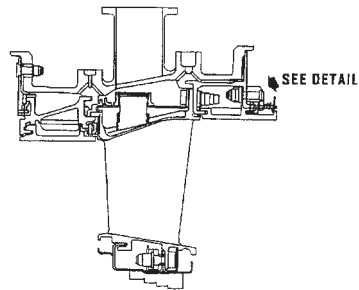
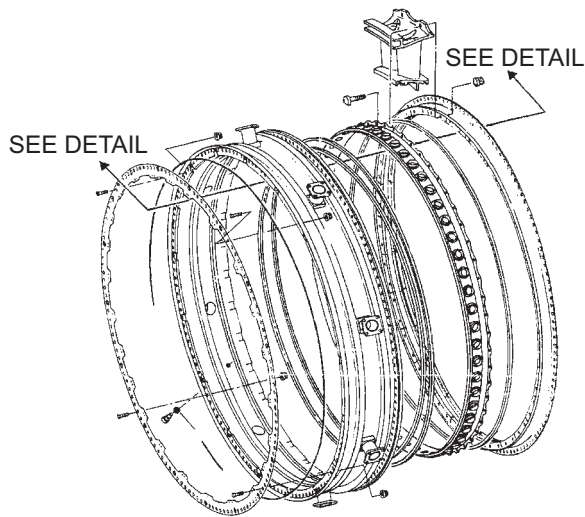
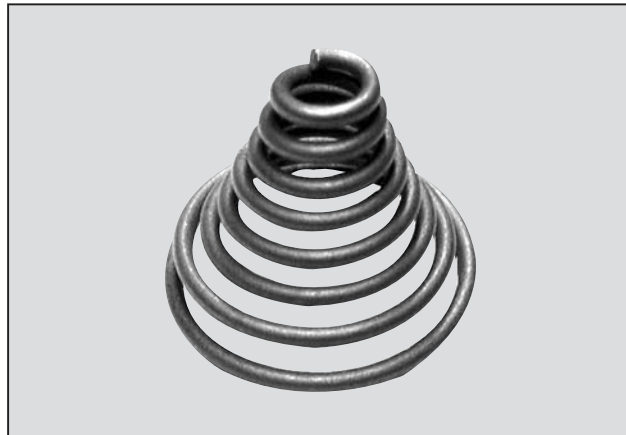
SPRING

Jet Avion Part Number JA2083M48P01
General Electric Part Number 2083M48P01

Model Eligibility:
See FAA/PMA Supplement

IPC Reference:
CF6-80C2-72-52

Quantity Per Engine:
56



Engine Location:
Nozzle Assembly-HPT Stage 2

