

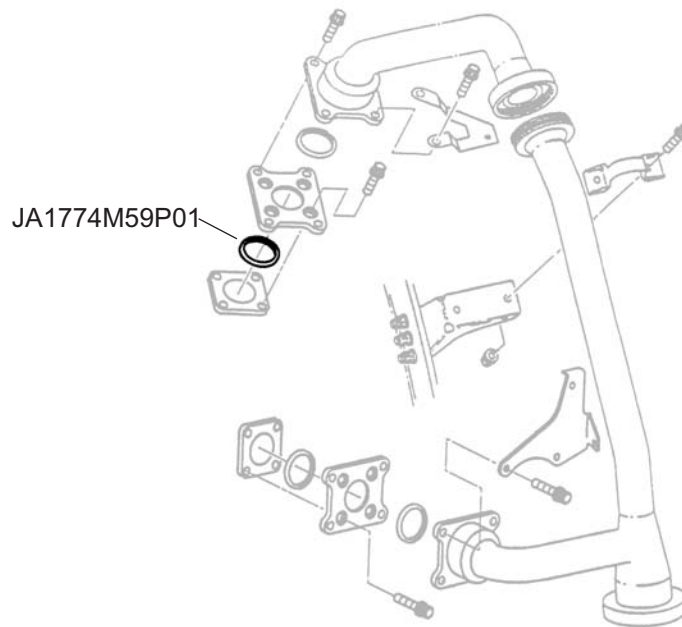
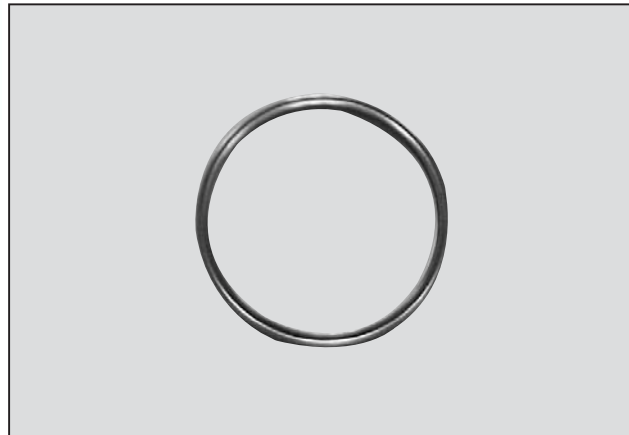
SEAL RING

Jet Avion Part Number JA1774M59P01
General Electric Part Number 1774M59P01

Model Eligibility:
See FAA/PMA Supplement

IPC Reference:
CF6-80-75-00

Quantity Per Engine:
4



Engine Location:
Engine Air

