

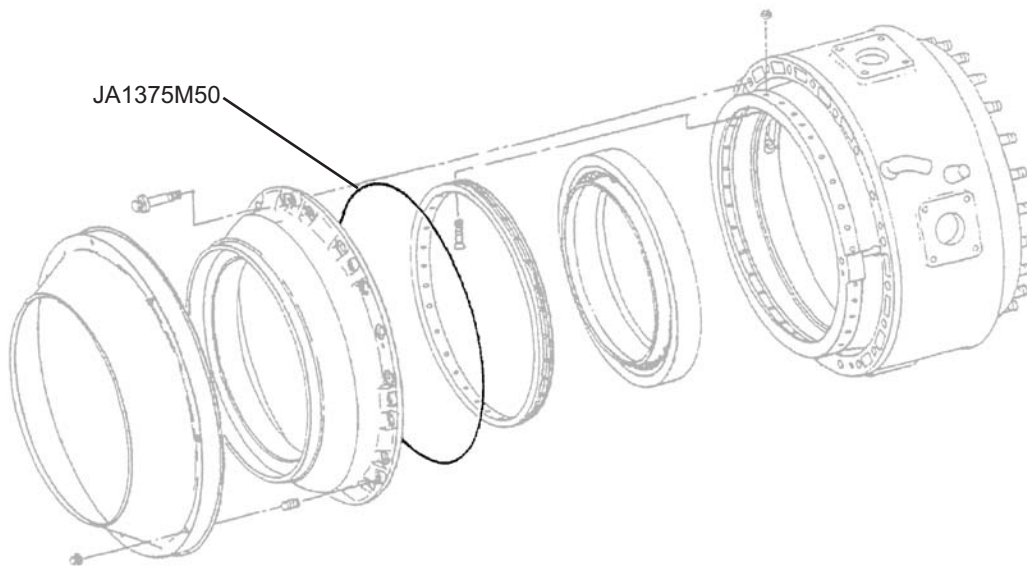
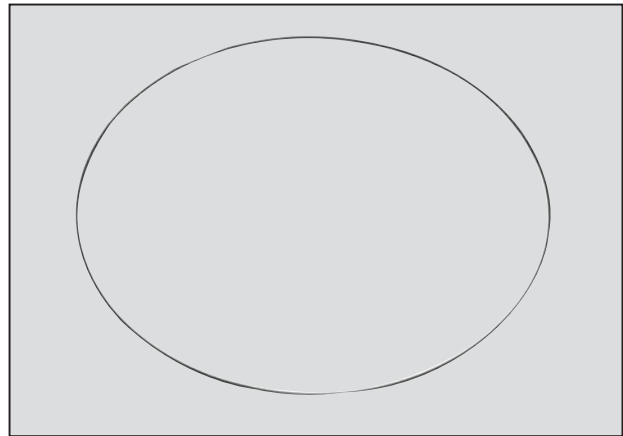
## SEAL

Jet Avion Part JA1375M50P18,P19,P20,P21  
General Electric Part Number 1375M50P18,P19,P20,P21

**Engine Eligibility:**  
[See FAA/PMA Supplement Index](#)

**IPC Reference:**  
CF6-80C2-72-34

**Quantity Per Engine:**  
1



**Engine Location:**  
Compressor Rear Frame

