

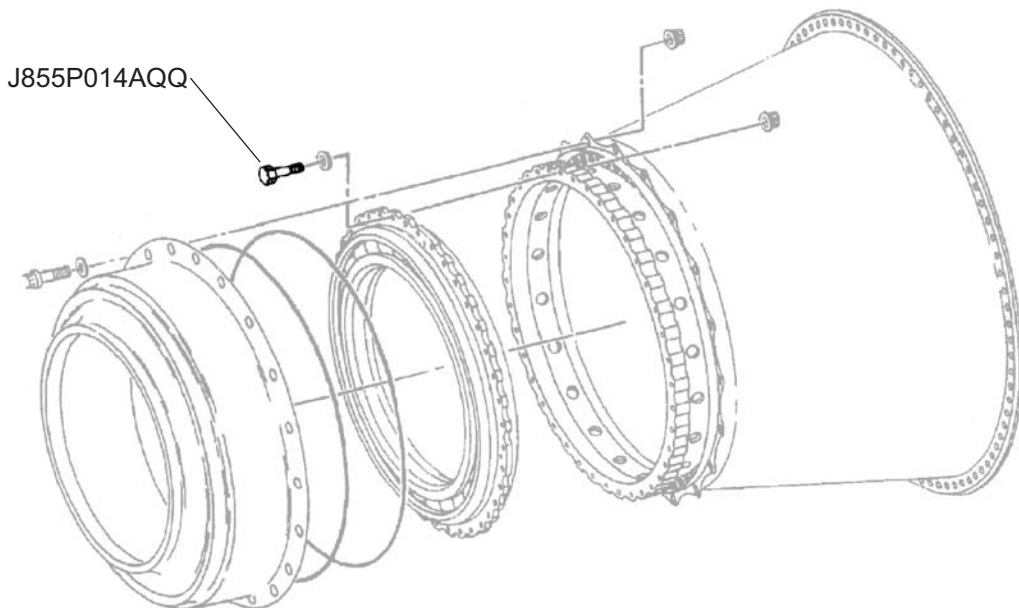
BOLT, SHEAR- HEX HEAD

Turbine Kinetics Part Number J855P014AQQ
General Electric Part Number J855P014A

Model Eligibility:
[See FAA/PMA Supplement](#)

IPC Reference:
CF6-80A-72-00
CF6-80C2-72-00
CF6-80E-72-00

Quantity Per Engine:
40



Engine Location:
Fan Module-No. 1, 2 and 3
Bearing Areas

