

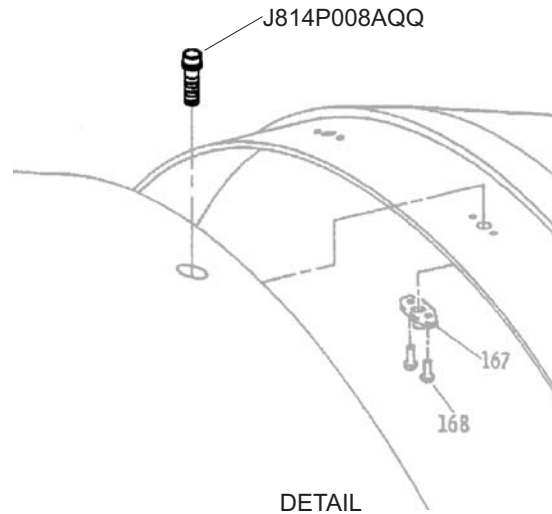
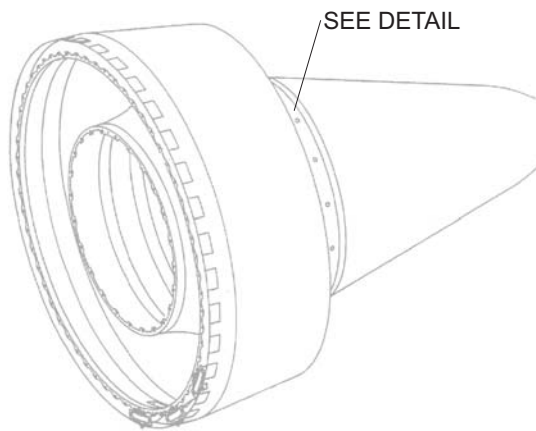
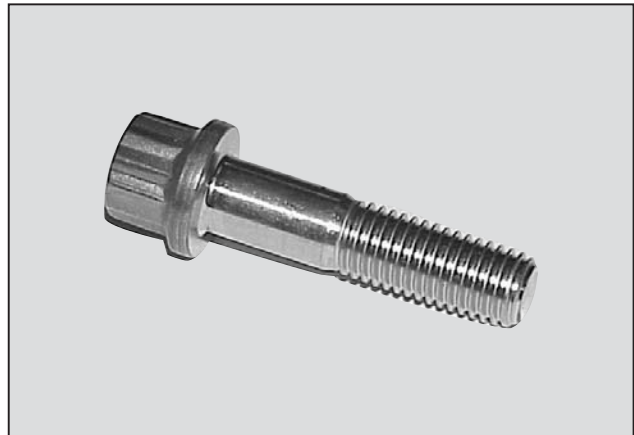
BOLT - SHEAR

Turbine Kinetics Part Number J814P008AQQ, P008BQQ, P010AQQ, P012AQQ, P018AQQ
General Electric Part Number J814P008A, P008B, P010A, P012A, P018A

Engine Eligibility:
[See FAA/PMA Supplement](#)

IPC Reference:
CF6 45/50-72-31
CF6-80-72-00
CF6-80-72-21
CF6-80-73-11
CF6-80-78-11

Quantity Per Engine:
16



Engine Location:
Varies

