

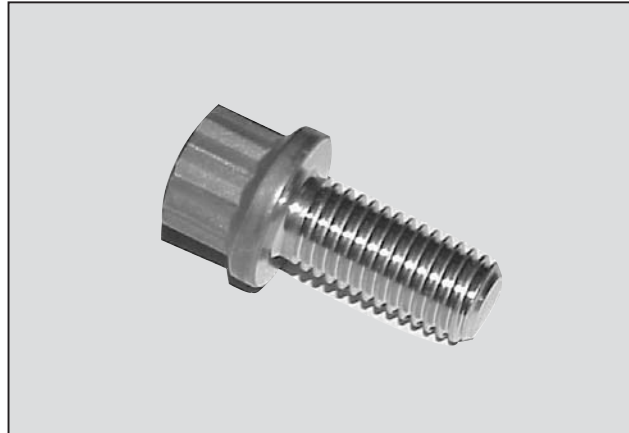
BOLT- MACHINE, DOUBLE HEX HEAD

Turbine Kinetics Part Number J643P03AQQ - P21AQQ*
General Electric Part Number J643P03A - P21A

Engine Eligibility:
[See FAA/PMA Supplement](#)

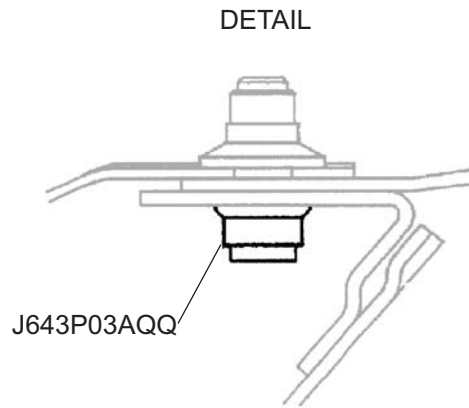
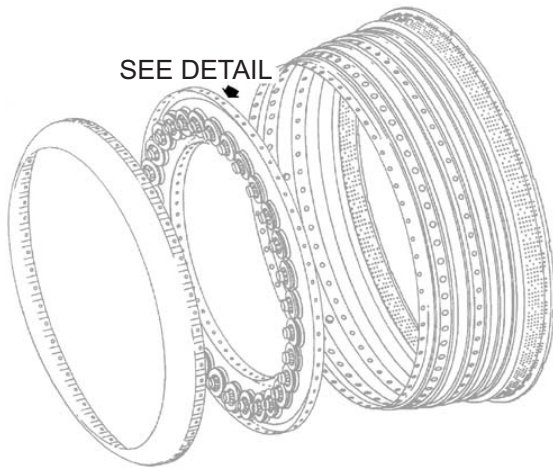
IPC Reference:
CF6-80C2-72 CF6-45/50-72
CF6-80C2-73 CF6-45/50-77
CF6-80C2-75 CF6-45/50-79
CF6-80C2-77
CF6-80C2-79

Quantity Per Engine:
Varies



***Detailed List of Approved Part Numbers:**

J643P03AQQ	J643P10AQQ
J643P04AQQ	J643P11AQQ
J643P05AQQ	J643P12AQQ
J643P06AQQ	J643P13AQQ
J643P07AQQ	J643P15AQQ
J643P08AQQ	J643P16AQQ
J643P09AQQ	J643P21AQQ



Engine Location:
Varies

