

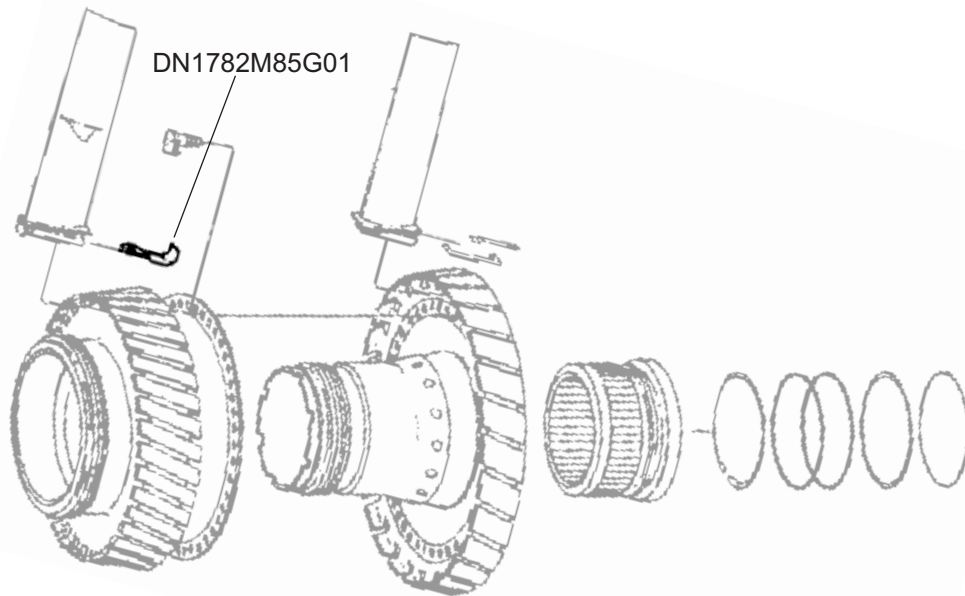
RETAINER, BLADE, MOLDED

Jet Avion Part Number DN1782M85G01
General Electric Part Number 1782M85G01

Eligibility:
[See FAA-PMA Supplement](#)

IPC Reference:
CF6-80C2-72-31

Quantity:
36



Location:
Rotor Assembly - Compressor

