

BOLT, TENSION

Turbine Kinetics Part Number DN1322M97P01

General Electric Part Number 1322M97P01

Eligibility:

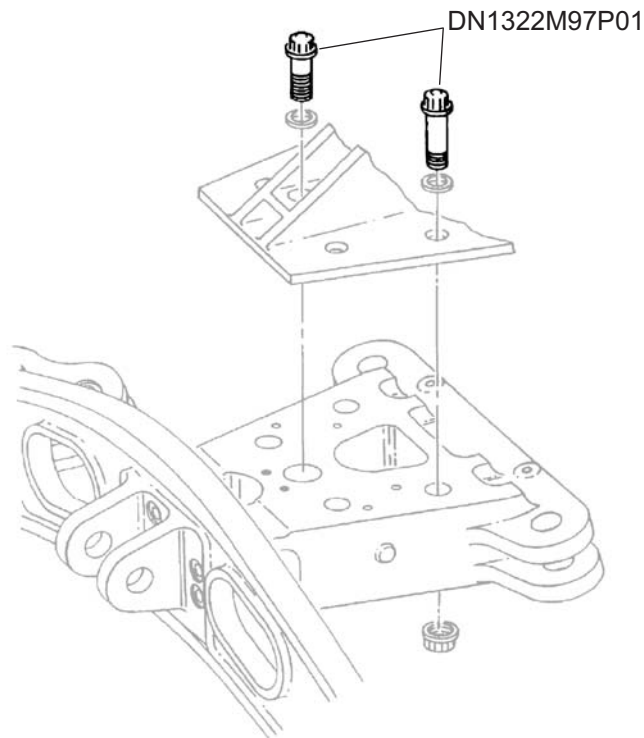
[See FAA-PMA Supplement](#)

IPC Reference:

CF6-80C2-71-00

Quantity:

5



Location:

Kit-Pylon Attaching Hardware Forward